

AMILO Pro V Series



We make sure

FUJITSU COMPUTERS
SIEMENS

Are there...

... any technical problems or other questions which you would like to be clarified?

Please contact:

- our Hotline/Help Desk
(see the included Help Desk list or go to: www.fujitsu-siemens.com/helpdesk)
- your sales partner
- your sales outlet

Additional information is contained in the Help Desk list and the "Warranty" manual. The "Warranty" manual can be found on the "Drivers & Utilities" CD/DVD provided with your computer.

The latest information on our products, tips, updates, etc., can be found on the internet at:
www.fujitsu-siemens.com

This manual was produced by
cognitas. Gesellschaft für Technik-Dokumentation mbH – www.cognitas.de

Dieses Handbuch wurde auf Recycling-Papier gedruckt.

This manual has been printed on recycled paper.

Este manual foi impresso em papel reciclado.

Denne håndboken er trykt på resirkulert papir.

Tato příručka byla vytištěna na recyklovaném papíře.

A használati utasítást visszaforgatott papírra nyomtatták.

Podręcznik ten wydrukowano na wtórnio wykorzystanym papierze.

Bu el kitabı tekrar geri dönüştürülmüş kağıt üzerine basılmıştır.

Published by

Fujitsu Siemens Computers GmbH

Printed in the Federal Republic of Germany

AG 12/05

Edition 1

Order no.: **A26391-K183-Z121-1-7619**

AMILO Pro V Series

Operating Manual

Introduction

Troubleshooting and tips

Important notes

Technical data

Ports and
operating elements
Manufacturer's notes

Preparing the notebook
for use

Index

Using your notebook

Security functions

Connecting external
devices

Removing and installing
components during
servicing

Using the power-
management features

Settings in BIOS Setup
Utility

Microsoft, MS, MS-DOS, Windows, and Windows NT are registered trademarks of Microsoft Corporation.

VESA and DPMS are trademarks of Video Electronics Standards Association.

PS/2 is a registered trademark of International Business Machines, Inc.

Pentium is a registered trademark of Intel Corporation, USA.

Acrobat Reader is a trademark of Adobe Systems Incorporated.

All other trademarks referenced are trademarks or registered trademarks of their respective owners, whose protected rights are acknowledged.

Copyright © Fujitsu Siemens Computers GmbH 2005

All rights, including rights of translation, reproduction by printing, copying or similar methods, in part or in whole, are reserved.

Offenders will be liable for damages.

All rights, including rights created by patent grant or registration of a utility model or design, are reserved.

Delivery subject to availability. Right of technical modification reserved.

Contents

Innovative technology	1
Notational conventions	2
Important notes	3
Safety notes	3
Energy saving	4
Travelling with your notebook	4
Before you travel	4
Transporting the notebook	5
Cleaning the notebook	5
Ports and operating elements	7
Opened Notebook	7
Back panel	8
Left side panel	8
Right side of AMILO Pro V2030	9
Right side of AMILO Pro V2035	9
Preparing the notebook for use	11
Unpacking and checking your notebook	11
Selecting a location	12
Connecting the mains adapter	13
Switching on the notebook for the first time	15
Using your notebook	17
Switching on the notebook	17
Switching off the notebook	19
Status indicators	20
Keyboard	22
Virtual numeric keypad	23
Key combinations	24
Country and keyboard settings	25
Easy Launch keys	25
Touchpad and touchpad buttons	26
LCD screen	27
Information on LCD monitor	27
Monitor settings	28
Battery	29
Charging, caring for and maintaining the battery	29
Removing and installing the battery	30
CDRW / DVD combo drive	31
Multi-format DVD burner with double layer support	31
CD-/DVD-Types	32
Handling CD/DVDs	33
Inserting or removing a CD/DVD	33
Manual removal (emergency removal)	34
Regional codes for DVD films and DVD players	34
Adjusting AutoPlay function of your CDRW/DVD combo drive	35
PC cards	36
Installing a PC card	36
Removing a PC card	37

Integrated 56k modem	37
Connecting notebook modem to telephone wall socket.....	38
Wireless LAN	38
Switching wireless LAN module on and off.....	38
Ethernet and LAN.....	39
Security functions.....	41
Brief overview of the security functions.....	41
Using Kensington Lock.....	42
Configuring password protection in BIOS Setup Utility.....	42
Protecting BIOS Setup Utility (supervisor password).....	42
Password protection.....	44
Virus protection for the hard disk.....	44
Connecting external devices.....	45
Connections on notebook.....	46
Left side panel.....	46
Right side of AMILO Pro V2030.....	46
Right side of AMILO Pro V2035.....	46
Back panel.....	47
Connecting an external monitor.....	47
Connecting USB devices.....	48
Connecting external audio devices.....	48
Connecting FireWire devices*.....	48
Removing and installing components during servicing.....	49
Notes on installing and removing components.....	49
Removing and installing the battery.....	50
Removing and installing memory modules.....	50
Hard disk.....	52
Removing the hard disk.....	52
Installing the hard disk.....	54
Using the power-management features.....	57
Standby mode.....	58
Settings in BIOS Setup Utility.....	59
Start BIOS Setup Utility.....	59
Operating BIOS Setup Utility.....	59
Exiting BIOS Setup Utility.....	60
Troubleshooting and tips.....	61
Reinstalling Windows XP.....	61
The notebook's date or time is incorrect.....	62
The LCD screen of the notebook remains blank.....	62
The external monitor stays blank.....	62
The external monitor is blank or the image is unstable (under Windows).....	63
The notebook cannot be started.....	63
The notebook stops working.....	64
The mouse does not work.....	64
The printer does not print.....	64
Acoustic warnings.....	65
Error messages on the screen.....	65

Technical data	67
Notebook	67
Battery	68
Mains adapter 65 W	68
Manufacturer's notes	69
Disposal and recycling.....	69
Declarations of Conformity	69
CE marking.....	69
Index	71

Innovative technology...

and ergonomic design make your AMILO Pro the ideal easy to use and reliable notebook.

Your notebook is available in several different versions. Most of the sections in this manual apply to all models - any differences are pointed out separately. Some of the illustrations and features in this manual may differ from your model and are for guidance only.

Your operating system Windows XP is already pre-installed and optimally configured. That means you're ready to start when you switch on your AMILO Pro for the first time.

Your notebook features the very latest technology so that you get the best performance from your computing experience. Depending on which model you own, you have access to:

- Up to 2 Gbyte Mbyte of main memory (RAM)
- A combination drive (CD-RW/DVD) or a multi-format DVD drive with double-layer support for playing DVD films or writing CDs/DVDs
- An FireWire connection* for high speed devices such as digital camcorders
- Four USB ports which provide easy expansion with webcams, game pads, printers and more
- An internal modem for connecting to the internet
- A PC card slot (CardBus or PCMCIA) for using a type II PC card
- An onboard sound card and stereo speakers for your audio enjoyment.
You can even connect headphones, a microphone and external speakers for even better performance.

With the user-friendly *BIOS Setup Utility* you can control the hardware of your notebook and protect your system better against unauthorised access by using the powerful password properties.

This operating manual tells you how to put your AMILO Pro into operation, and how to operate it in daily use.

Further information about your AMILO Pro can be found:

- in the manuals "Safety" and "Warranty"
- in the "Wireless LAN" manual
- in your operating system documentation
- in the information files (e.g. *.TXT, *.DOC, *.WRI, *.HLP, *.PDF, *.HTML)

Notational conventions

The following symbols are used in this manual:



Indicates information which is important for your health or for preventing physical damage. Failure to follow the instructions may lead to loss of data, invalidate your warranty, destroy the notebook, or endanger your life.



Indicates important information which is required to use the system properly.

* only applies to AMILO Pro V2030.

► Text which follows this symbol describes activities that must be performed in the order shown.

This font indicates screen outputs.

This font indicates programme names, commands, or menu items.

"Quotation marks" indicate names of chapters, hard disks, CDs, DVDs, and terms that are being emphasised.

Important notes

Here you will find essential safety information regarding your notebook. The other notes provide useful information on your notebook.

Safety notes



Pay attention to the information provided in the "Safety" manual and in the following safety notes.

Observe the sections in the manual marked with the symbol on the left.

- When connecting and disconnecting cables, observe the relevant notes in this operating manual.
- When cleaning the device, please observe the relevant notes in the "Cleaning the notebook" paragraph.
- Only use batteries designed for this notebook.
Do not store batteries for longer periods in the notebook.
Take care not to drop batteries or otherwise damage their casing (fire risk).
If rechargeable batteries develop a fault please stop using them immediately.
Do not touch the contacts of the batteries.
Never interconnect the positive and negative terminals of a battery.
Batteries are harmful to the environment. You should dispose of them following guidance from your local District Council.
- A lithium battery is contained in your notebook:
The lithium battery should only be replaced by an authorised technician. Incorrect handling may lead to a risk of explosion.
Only use batteries approved by Fujitsu Siemens Computers.
Batteries are harmful to the environment. You should dispose of the lithium battery following guidance from your local District Council.
- If you have a notebook with wireless LAN, you must also observe the additional safety precautions for devices with wireless LAN in the "Safety" manual.
- Read the chapter "Preparing the notebook for use" before you put your notebook into operation and switch it on for the first time.
- Store this manual close to the device.
If you pass the device on to third parties, you should pass this manual on with it.

This notebook complies with the relevant safety regulations for data processing equipment. If you have questions about using your notebook in a particular area, please contact your sales outlet or our Hotline/Help Desk.

Energy saving

If you will not be using your notebook, switch it off.

Make use of the device's energy saving functions (see "Using your notebook"). If you use the possible energy saving functions, the notebook uses less energy. You will then be able to work for longer before having to recharge the battery.

Energy saving under Windows

If a monitor with energy saving features is connected to your notebook, you can use the *Screen Saver* tab to activate the energy saving features of the monitor. Select a screen saver via *Start – (Settings) - Control Panel - Appearance and Themes - Display - Screen Saver*.

You may set further energy saving functions in the menu *Start - (Settings) - Control Panel - Performance and Maintenance - Power Options*.

Travelling with your notebook

Please follow these guidelines when travelling with your notebook.

Before you travel

- Back up important data stored on your hard disk.
- Switch off the radio component (Wireless LAN) for security reasons when you cannot exclude that the transmitted radio waves can negatively affect electrical and electronic devices in your surrounding area.
- Switch off the radio component (Wireless LAN) for data security reasons. With data traffic via a wireless connection, it is also possible for unauthorised third parties to receive data.



Information on activating data encryption is provided in the documentation for your radio component.

- If you wish to use your notebook during a flight, first check with the flight attendants if it is OK to do so.
- If you are travelling abroad, check that the mains adapter can be operated with the local mains voltage. If this is not the case, obtain the appropriate mains adapter for your notebook. Do not use any other voltage converter!
- Make sure that the rated current of the mains adapter is not higher than that of the power system to which you connect the mains adapter (see technical data of the mains adapter).

When travelling in other countries

- Check whether the local power supply and the specifications of the power cable are compatible. If this is not the case, buy a power cable that matches the local conditions. Do not use a connection adapter for electrical devices to connect the notebook.
- Enquire with the corresponding government office of the country you will be travelling in as to whether you may operate the radio component integrated in your notebook there (also see "Manufacturer's notes").
- If you use the modem, incompatibilities with the local telecommunications system may result. This may result in poor performance, or the modem will not work at all. You may require a country-specific telephone adapter (available as an accessory).

Transporting the notebook

- Remove all disks (e.g. CD, DVD) from the drives.
- Switch the notebook off.
- Unplug the mains adapter and all external devices from the power socket.
- Disconnect the mains adapter cable and the data cables for all external devices.
- Close the LCD screen so that it locks into place.
- If the device needs to be shipped, use the original packaging or other suitable packaging to protect it from damage caused by mishandling.
- To protect against damaging jolts and bumps, use a notebook carrying case to transport your notebook.
Fujitsu Siemens Computers offers a number of solutions for transporting your notebook. Current offers can be found on the Internet under www.fujitsu-siemens.com/accessories.
- Protect the notebook from severe shocks and extreme temperatures (e.g. direct sunlight in a car).

Cleaning the notebook

- ▶ Switch the notebook off.
- ▶ Unplug the mains adapter from the mains socket.
- ▶ Remove the battery.



Do not clean any interior parts yourself; leave this job to a service technician.

Only use cleaning products designed for computers. Normal household cleaners and polishes can damage the markings on the keyboard and the device, the paintwork or the notebook itself.

Ensure that no liquid enters the notebook.

Wipe the casing with a dry cloth.

If particularly dirty, use a cloth which has been moistened in mild domestic detergent and then carefully wrung out.

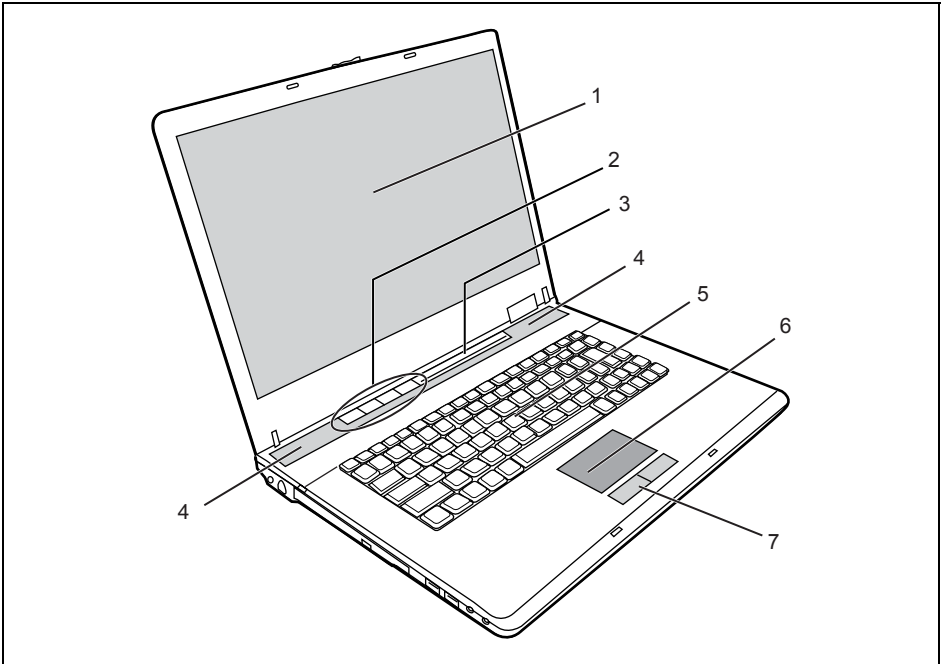
To clean the keyboard and the touchpad, you can use disinfectant wipes.

Wipe the LCD screen with a soft, moistened cloth.

Ports and operating elements

This chapter presents the individual hardware components of your notebook. You can obtain an overview of the ports and operating elements of the notebook. Please familiarise yourself with these components before you start to work with your notebook.

Opened Notebook



1 = LCD screen

2 = Easy Launch keys and ON/OFF switch

3 = Status indicators

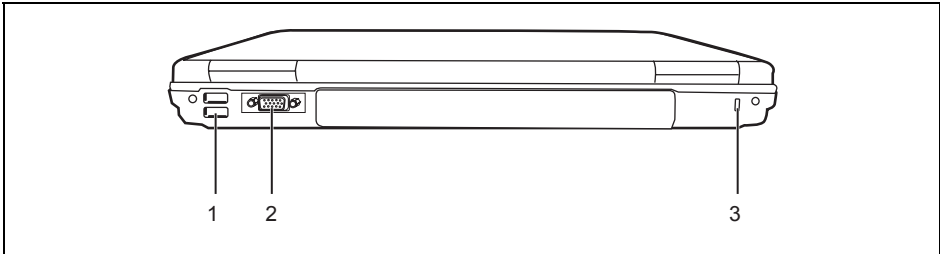
4 = Speaker

5 = Keyboard

6 = Touchpad

7 = Touchpad buttons

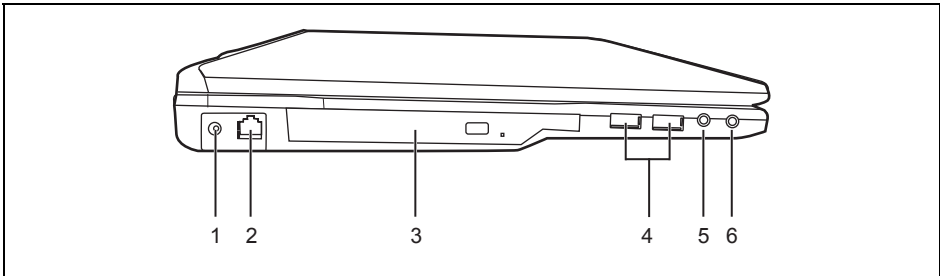
Back panel



- 1 = USB ports
- 2 = Monitor port

- 3 = Kensington Lock

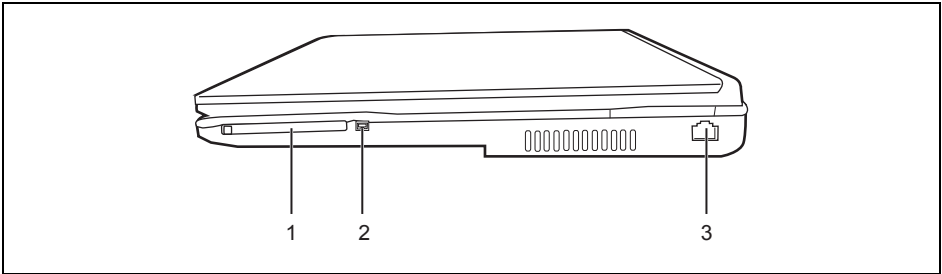
Left side panel



- 1 = DC socket (DC IN) (only AMILO Pro V2030)
- 2 = Modem port
- 3 = Optical drive

- 4 = USB ports (only AMILO Pro V2030)
- 5 = Headphones port
- 6 = Microphone port/Line In

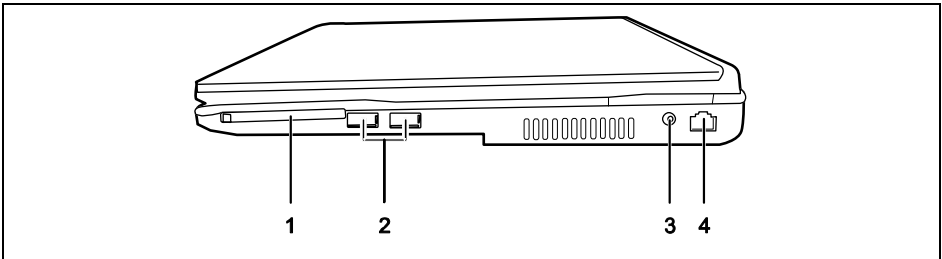
Right side of AMILO Pro V2030



- 1 = PC card slot
- 2 = FireWire port

- 3 = LAN port

Right side of AMILO Pro V2035



- 1 = PC card slot
- 2 = USB ports

- 3 = DC jack (DC IN)
- 4 = LAN port

Preparing the notebook for use



Please take note of the information in the "Important notes" chapter.

Upon delivery, the battery can be found in the battery compartment and is not charged. Before putting the notebook into operation, the battery must be completely charged.

The operating system Windows®XP and drivers required are preinstalled. Before you can use your notebook for the first time you need to install the supplied software.

When not plugged into a mains outlet, the notebook runs on its built-in battery. You can increase the battery's life by enabling the system's energy saving functions.

When you use your notebook in your home or office, we recommend you use the mains adapter instead of the battery.

Please see the "Connecting external devices" chapter for instructions on how to connect devices such as a mouse and a printer to the notebook.

Unpacking and checking your notebook

- ▶ Unpack all the individual parts.
- ▶ Check your notebook for damage incurred during transportation.



Should you discover damages incurred during transportation, notify your local sales outlet immediately!

Do not discard the original packing material of the devices. You may need the packaging in the future if you need to transport your device.

Selecting a location



Select a suitable location for the notebook before setting it up. Consider the following points when looking for a location:

- Never place the notebook on a soft surface (e.g. carpeting, upholstered furniture, bed). This can block the air vents and cause overheating and damage.
- Do not place the notebook on your legs for a longer period of time. The underside of the notebook heats up during normal operation. Longer contact with the skin can become unpleasant or even result in burns.
- Place the notebook on a stable, flat, nonslippery surface. Please note that the rubber feet may mark certain types of surfaces.
- Keep other objects 100 mm away from the notebook and its mains adapter to ensure adequate ventilation.
- Never cover the fan intake or exhaust openings of the notebook or the mains adapter.
- Do not expose the notebook to extreme environmental conditions. Protect the notebook from dust, humidity, and heat.

Connecting the mains adapter



Please take note of the information in the section "Selecting a location".

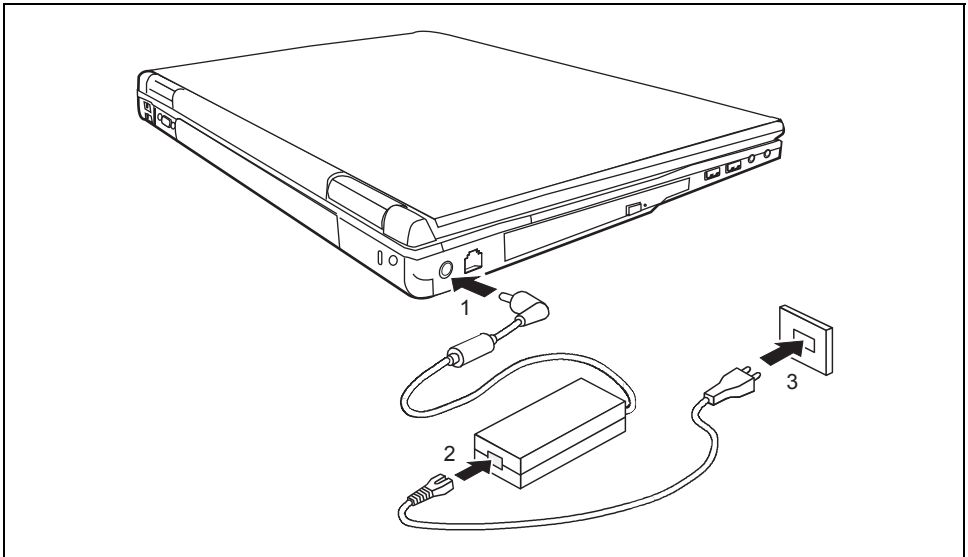
The power cable supplied conforms to the requirements of the country in which you purchased your notebook. Make sure that the power cable is approved for use in the country in which you intend to use it.

The mains adapter's AC cable should only be connected to a mains socket if the notebook is connected to the mains adapter.

Do not use the mains adapter for other notebooks or devices.

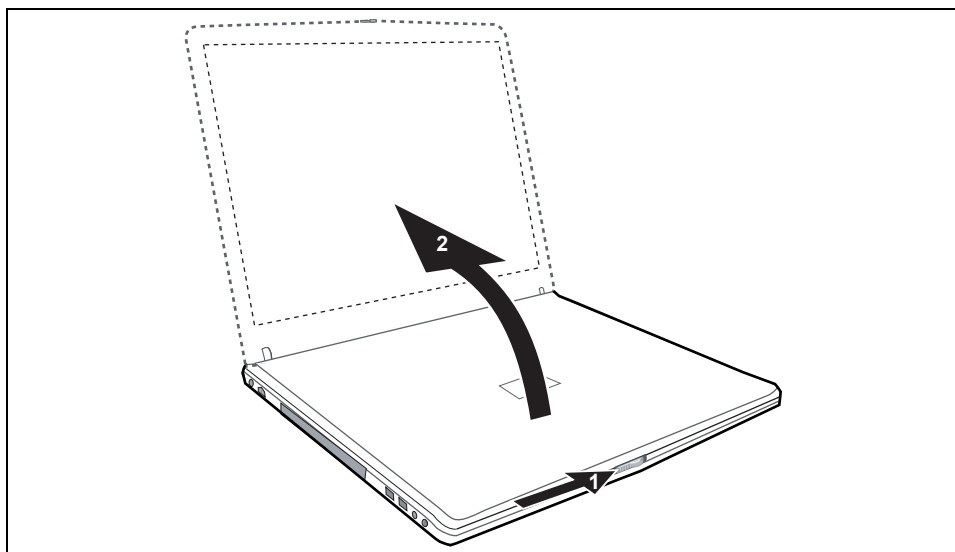
Do not use a mains adapter that is not specially intended for this notebook.

Make sure that the rated current of the mains adapter is not higher than that of the power system to which you connect the mains adapter (see technical data of the mains adapter).

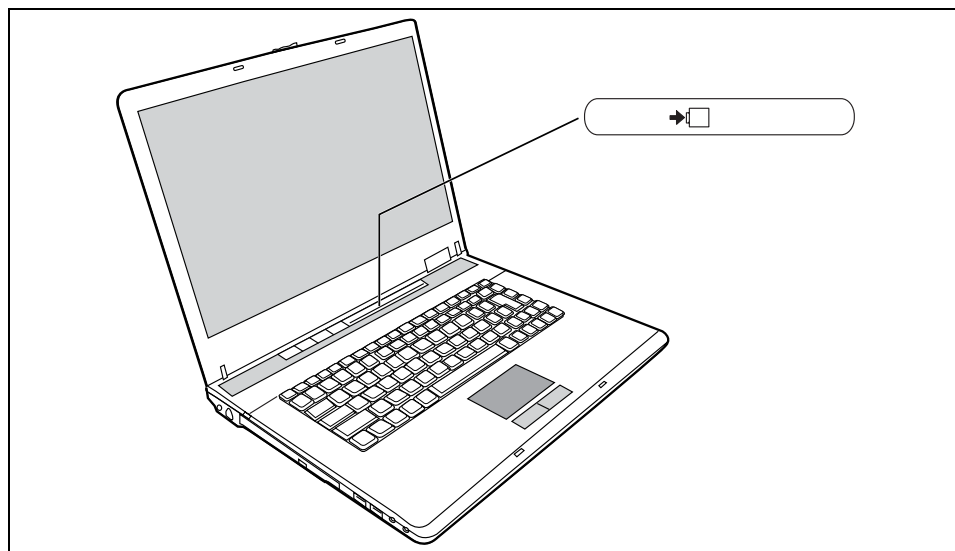



As an example the image shows the AMILO Pro V2030. The position of the connections on other models may be found under "Ports and operating elements".

- ▶ Connect the mains adapter cable to the DC jack (DC IN) of the notebook (1).
- ▶ Connect the power cable to the mains adapter (2).
- ▶ Plug the power cable into a mains outlet (3).



- ▶ Slide the release button in direction of the arrow (1) and open the LCD screen (2).



The battery charging indicator  on the notebook lights. The battery will charge.



The meaning of the various displays can be found under "Status indicators".

Switching on the notebook for the first time



When you switch on your notebook for the first time, the supplied software is installed and configured. Due to the fact that this installation must not be interrupted, you should set aside enough time for it to be fully completed and connect the notebook to the mains outlet using the mains adapter.

During installation, the notebook may only be rebooted when you are requested to do so!

Your operating system is pre-installed on the hard disk to facilitate the procedure when you use your notebook for the first time.

- ▶ Switch the notebook on (see "Switching on the notebook").
- ▶ During installation, follow the instructions on screen.

Consult the operating system manual if there is anything unclear about the requested input data.



If there is a Windows operating system installed on your notebook the "Drivers°&°Utilities" CD/DVD is included in the delivery scope. You will find further information on the system, drivers, utilities, updates, manuals etc. on this "Drivers & Utilities" CD/DVD.

Using your notebook

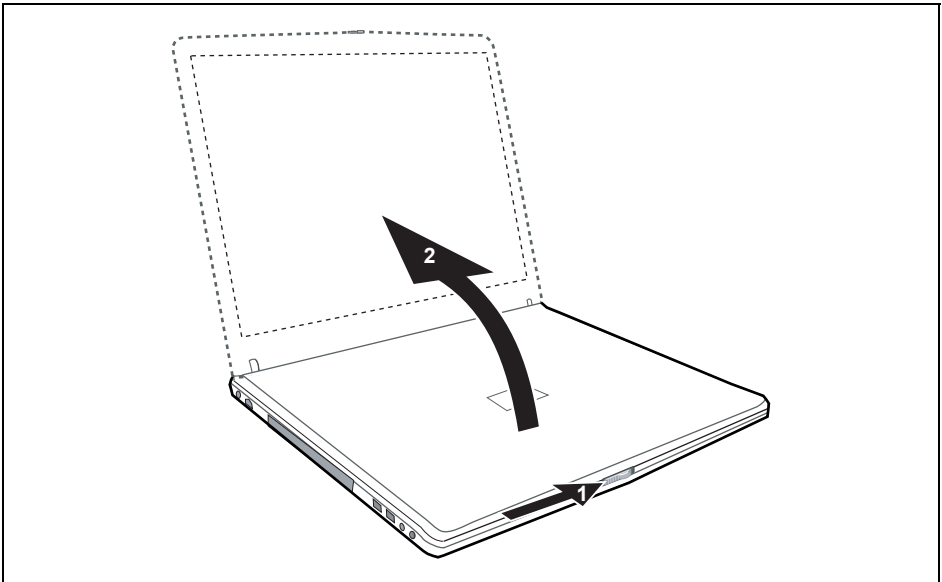
This chapter describes the basics for operating your notebook.

Please see the "Connecting external devices" chapter for instructions on how to connect devices such as a mouse and a printer to the notebook.

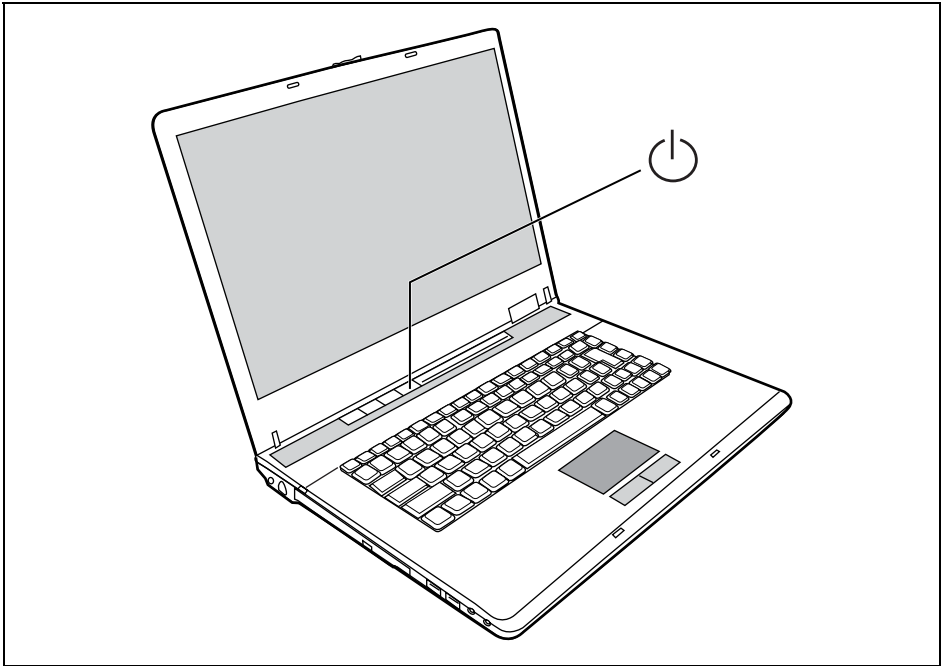



Please take note of the information in the "Important notes" chapter.

Switching on the notebook



- ▶ Slide the release button in the direction of the arrow (1) and unfold the LCD screen upward (2).



► Press the ON/OFF switch  to switch the notebook on.

The power-on indicator  on the notebook is on.



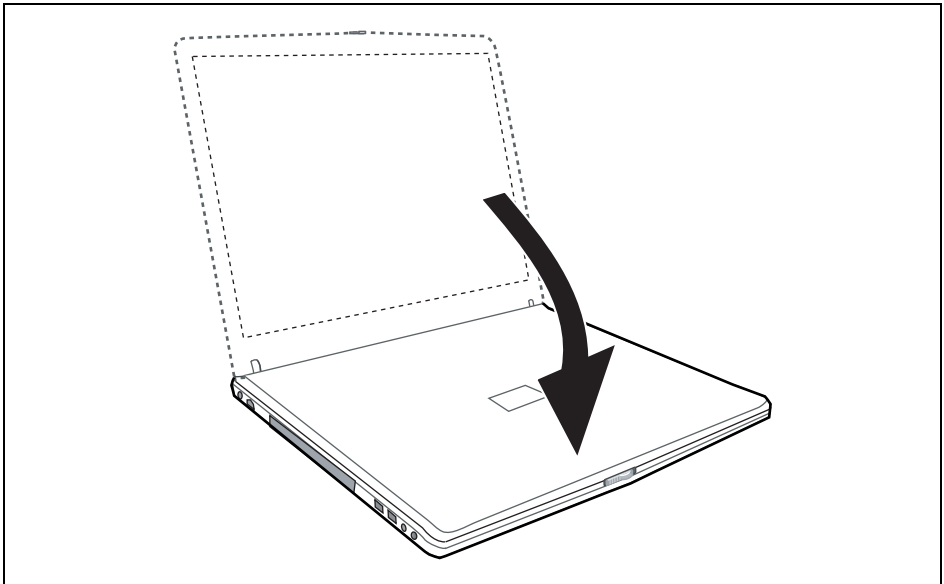
If you have assigned a password, you must enter this when requested to do so, in order to start the operating system password. Detailed information can be found in "Security functions" chapter.

Switching off the notebook

- ▶ Shut down the operating system Windows®XP properly in the *Start* menu via the *Turn off Computer* function.



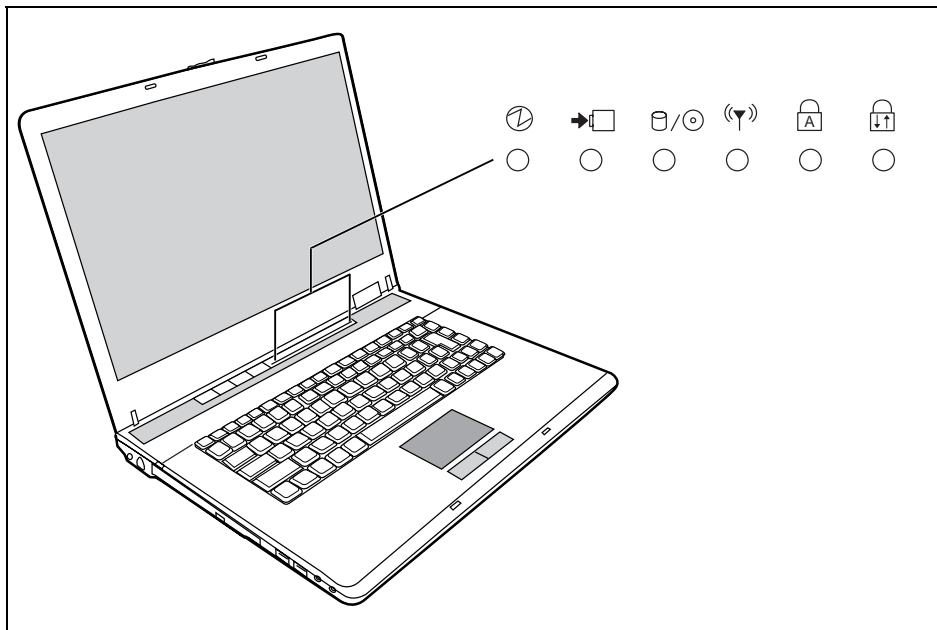
If the notebook is not switched off automatically, press the ON/OFF switch for approx. five seconds.



- ▶ Close the LCD screen so that it locks into place.

Status indicators

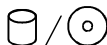
The status indicators provide information about the status of the power supply, the drives and the keyboard functions.



Power-on indicator



Battery charging indicator



Drive indicator



Indicator Wireless LAN



Caps Lock indicator



Scroll indicator (Scroll Lock)



Num Lock indicator

The meanings of the symbols are as follows:



Power-on indicator – mains operation

- The indicator lights up green: The mains adapter is supplying power to the notebook.
- The indicator flashes green: the notebook is in Standby mode.



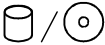
Power-on indicator – battery operation

- The indicator lights up green: The battery is supplying power to the notebook.
- The indicator flashes green: the notebook is in Standby mode.
- The indicator lights up orange: The battery is nearly empty.
- The indicator flashes yellow: The notebook is in the standby mode and the battery is almost empty.
- The indicator lights up red: The battery is empty.
- The indicator flashes orange: The notebook is in the standby mode and the battery is empty.



Battery charging indicator

The indicator lights up: The battery is charging.



Drive indicator

The indicator lights up: one of the drives (e.g. hard disk, CD/DVD) is being accessed.



Indicator Wireless LAN

The indicator lights up: the Easy Launch key (⌘) has been pressed. The wireless LAN module is switched on.



Caps Lock indicator

The indicator lights up: the Caps Lock key has been pressed. All the characters you type appear in uppercase. In the case of overlay keys, the character printed on the upper left of the key appears when that key is pressed.



Scroll indicator (Scroll Lock)

The indicator lights up: the key combination **[Fn] + [Scr Lock]** has been pressed. The effect this key has varies from programme to programme.



Num Lock indicator

The indicator lights up: the key combination **[Fn] + [Num Lock]** has been pressed. The numeric keypad is activated. In the case of overlay keys, the character printed on the upper right of the key appears when that key is pressed.

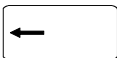
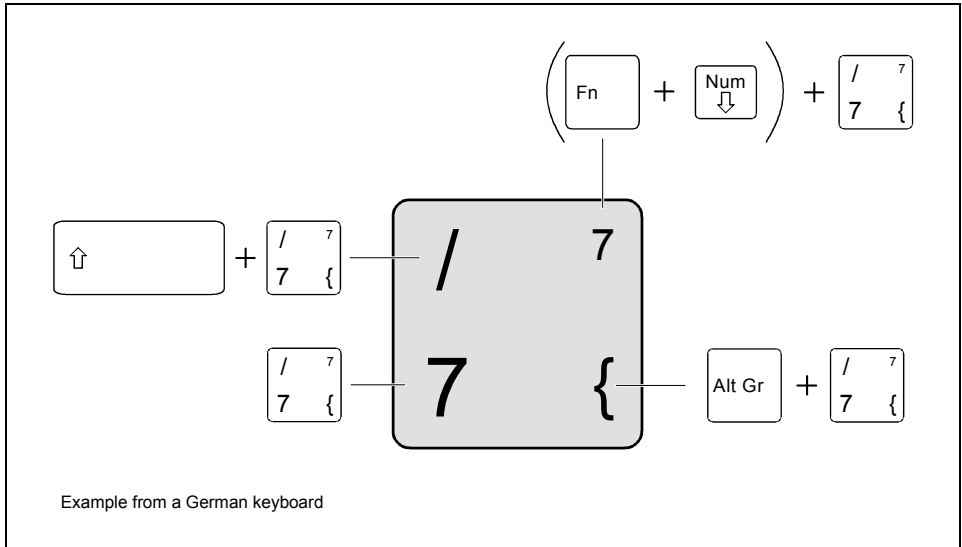
Keyboard



The keyboard of your notebook is subject to continuous wear due to normal use. The keyboard markings are subjected to particularly high loads. The keyboard markings can wear off in the course of using the notebook.

The keyboard has been designed to provide all the functions of an enhanced keyboard. Some enhanced keyboard functions are mapped with key combinations.

The following description of keys refers to Windows. Additional functions supported by the keys are described in the relevant manuals supplied with your application programmes.



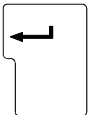
Backspace key

The Backspace key deletes the character to the left of the cursor.



Tab key

The Tab key moves the cursor to the next tab stop.



Enter key (return)

The enter key terminates a command line. The command you have entered is executed when you press this key.



Caps Lock key

The Caps Lock key activates uppercase mode (Caps Lock indicator lit). The Caps Lock function causes all the characters you type to appear in uppercase. In the case of overlay keys, the character printed on the upper left of the key appears when that key is pressed.

To cancel the Caps Lock function, simply press the Caps Lock key again.

**Shift key**

The Shift key causes uppercase characters to appear. In the case of overlay keys, the character printed on the upper left of the key appears when that key is pressed.

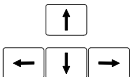
**Alt Gr key**

The **Alt Gr** key allows one to type the characters printed on the lower right of the keycaps (e.g. { in the case of the **7** key on the German keyboard).

**Fn key**

The **Fn** key enables the special functions indicated on overlay keys (see "Key combinations").

If the external keyboard does not feature an **Fn** key, you can simultaneously press the **Ctrl** + **Alt Gr** keys or the **Ctrl** + **Alt** keys.

**Cursor keys**

The cursor keys move the cursor in the direction of the arrow, i.e. up, down, left, or right.

**Pause key**

The **Pause** key temporarily suspends display output. Output will resume when you press any other key.

**Start key**

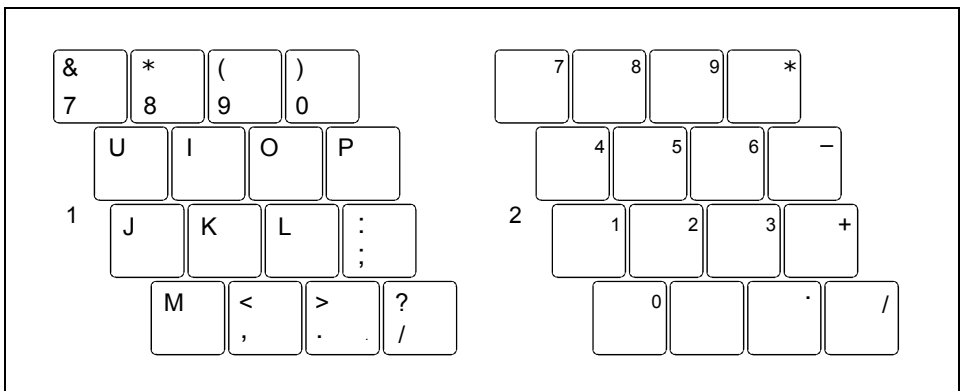
The Start key invokes the Windows Start menu.

**Menu key**

The Menu key invokes the menu for the selected item.

Virtual numeric keypad

The keyboard of your notebook does not have a separate number block. To provide the convenience of a numeric keypad, your keyboard is equipped with a virtual numeric keypad. The special keys of the virtual numeric keypad are recognisable by the numbers and symbols printed in the upper right corner of each key. If you have switched on the virtual numeric keypad, you can output the characters shown on the upper right of the keys.



1 = Characters enabled when Num Lock indicator is not lit (see "Status indicators").

2 = Characters enabled when Num Lock indicator is lit (see "Status indicators").

Key combinations

The following description of key combinations refers to functions when using Microsoft Windows. Some of the following key combinations may not function in other operating systems and with some device drivers.

Other key combinations are described in the relevant manuals supplied with your application programmes.

Key combinations are performed as follows:

- ▶ Press and hold the first key in the combination.
- ▶ While holding the first key down, press the other key or keys in the combination.

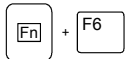


Switching between internal and external screen

If an external monitor is connected, the monitor on which the output is to be displayed can be selected with this key combination.

You can opt to use:

- just the notebook's LCD screen
- just the external monitor
- both the LCD screen and the external monitor



Switching the loudspeakers on and off

This key combination switches your notebook's loudspeakers off and on.



Decreasing screen brightness

This key combination decreases screen brightness.



Increasing screen brightness

This key combination increases screen brightness.



Reducing the volume

This key combination reduces the volume of the integrated loudspeakers.



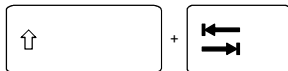
Increasing the volume

This key combination raises the volume of the integrated loudspeakers.



Switching between open applications

With this key combination you can switch between several open applications.



Backtab (Shift+Tab)

This key combination moves the cursor back to the previous tabular stop.



Windows security/Task-Manager

This key combination opens the *Windows security/Task-Manager* window.



Key combinations with the Windows keys are contained in the manual for your operating system.

Country and keyboard settings

If you want to change the country and keyboard settings, proceed as follows:

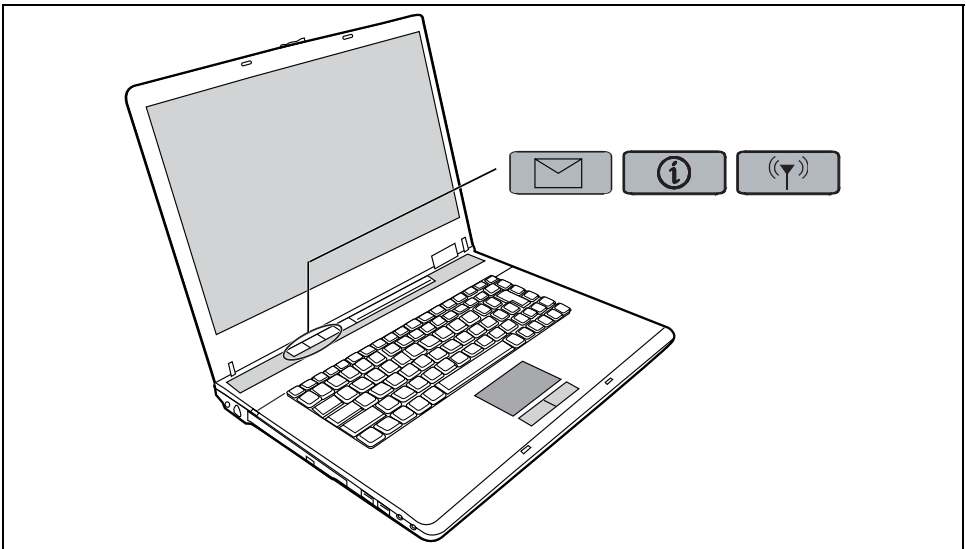
- ▶ Click on *Start - (Settings) - Control Panel*.
- ▶ Double-click on *Regional and Language Options*.

The current settings are displayed in the *Regional Options* tab.

- ▶ Select the country settings you want to use.
- ▶ Click on *Apply*.
- ▶ Click on the *Details* button in the *Languages* tab.
- ▶ Click on *Add...* to add other keyboard layouts to the selection.
- ▶ Select the keyboard layout you want to use in the *Input Language* field.
- ▶ Click on *Apply* and confirm with *OK*.
- ▶ Restart the notebook.

Easy Launch keys

Your notebook is equipped with three Easy Launch keys.



E-mail

Use this button to start the standard e-mail programme for your system.



Internet

With this button you can start the standard internet browser.



Wireless LAN

With this button you can switch on or off the wireless LAN module.

Touchpad and touchpad buttons

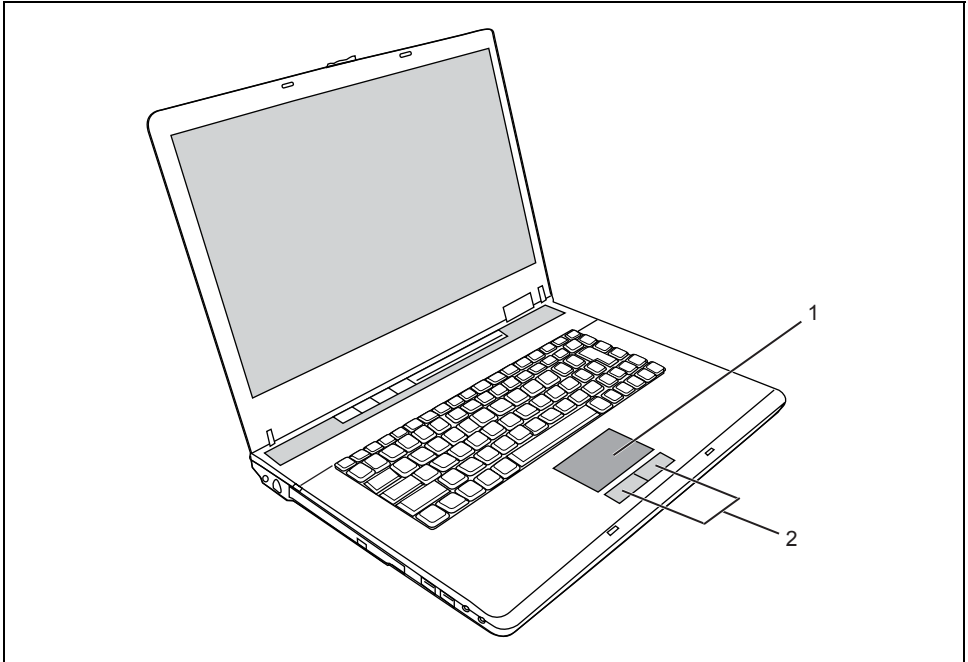


Keep the touchpad clean. Protect it from dirt, liquids, and grease.

Do not use the touchpad if your fingers are dirty.

Do not rest heavy objects (e.g. books) on the touchpad or the touchpad buttons.

The touchpad enables you to move the mouse pointer on the screen. The touchpad buttons allow the selection and execution of commands. They correspond to the buttons on a conventional mouse.



1 = Touchpad

2 = Touchpad buttons

Moving the pointer

- ▶ Move your finger on the touchpad.

The pointer will move accordingly.

Selecting an item

- ▶ Move the pointer to the item you wish to select.
- ▶ Tap the touchpad once or press the left button once.

The item will be selected.

Executing a command

- ▶ Move the pointer to the field you wish to select.
- ▶ Tap the touchpad twice or press the left button twice.

The command will be executed.

Dragging an object

- ▶ Select the desired object.
- ▶ Press and hold the left button and drag the object to the desired position with the finger on the touchpad.

The item will be moved.

LCD screen

Information on LCD monitor

High-quality TFT displays are installed in notebooks from Fujitsu Siemens Computers GmbH. For technical reasons, TFT monitors are manufactured for a specific resolution. An optimal, clear picture can only be ensured in the resolution intended for the respective TFT monitor. A monitor resolution which differs from the specification can result in an unclear picture.

The monitor resolution is understood to be the number of horizontal and vertical pixels (i.e. picture elements) which make up the monitor display. For example, "UXGA" stands for 1600 x 1200 pixels. Each pixel consists of three so-called subpixels of the colours red, green and blue. As a result, a UXGA monitor consists of 1600 x 1200 x 3 = 5.760.000 subpixels.

Frequently used monitor resolutions	Number of pixels
XGA	1024 x 768
WXGA	1280 x 800
SXGA	1280 x 1024
SXGA+	1400 x 1050
UXGA	1600 x 1200

The correct screen resolution for your notebook is specified in the corresponding section in the chapter "Technical data".

Permanently unlit or lit pixels

The standard of production techniques today cannot guarantee an absolutely fault-free screen display. A few isolated constant lit or unlit pixels may be present. The maximum permitted number of pixels faults is stipulated in the stringent international standard ISO 13406-2 (Class II).

Example:

A 15" LCD screen monitor with a resolution of 1024 x 768 has $1024 \times 768 = 786432$ pixels. Each pixel consists of three subpixels (red, green and blue), so there are almost 2,4 million subpixels in total. According to ISO 13406-2 (Class II), a maximum of 4 pixels and 5 subpixels may be defective, i. e. a total of 17 faulted subpixels. That is approx. 0.0007 % of the entire subpixel!

Background lighting

TFT screens are operated with background lighting. The luminosity of the background lighting can decrease during the period of use of the notebook. However, you can set the brightness of your monitor individually.

Monitor settings

Setting the desktop area

The screen resolution of the LCD monitor of your notebook is optimally set at the factory.

You can change the screen resolution under *Start - (Settings) - Control Panel - Display - Settings*.

Changing the display brightness

You can adjust the brightness of your LCD display with the keys **[Fn]** and **[F8]** or **[F9]**.

Changing the font size

Under *Start - (Settings) - Control Panel - Display - Appearance* you can choose between a larger and a smaller font in the *Font size* field.

Synchronising the display on the LCD screen and an external monitor

Your notebook supports the simultaneous display on the LCD screen and an external monitor. Pressing the key combination **[Fn] + [F3]** switches between LCD only, external monitor and LCD and external monitor only. The last setting is useful if you would like high resolution and refresh rate on an external monitor.

Adjusting the speed of the mouse pointer

You can change the speed of the pointer under *Start - (Settings) - Control Panel - Accessibility Options - Mouse* under *Settings* in the fields *Pointer speed* and *Acceleration*.

Battery

The battery supplies your notebook with the necessary power during mobile use. You can increase battery life by enabling the system's power management features.

The life of the battery is dependent on its proper storage, the number of charging/discharging cycles and the operating temperature of the notebook.

Charging, caring for and maintaining the battery



Only use batteries approved by Fujitsu Siemens Computers for your notebook.

Take care not to drop batteries or otherwise damage their casing (fire risk).

If rechargeable batteries develop a fault please stop using them immediately.

Do not touch the contacts of batteries.

Never interconnect the positive and negative terminals of a battery.

Batteries are harmful to the environment. You should dispose of them following guidance from your local District Council.

You can charge the battery by connecting the notebook to the mains adapter. The battery can only be recharged if the ambient temperature of the notebook falls within the permitted temperature range. The time taken to load the battery depends on its usage. Information on the battery charging time is contained in the "Technical data" chapter.

You can maintain long life from your battery by allowing it to discharge fully before you recharge it again. To do this, leave your notebook turned on when it is operated with the battery. Once the battery is running low you will hear a warning alarm. If you do not connect the mains adapter within five minutes of the warning alarm described above, your notebook will automatically switch to an energy-saving mode.

Storing the battery

Keep the battery pack between 0°C and +30°C (32 and 122 degrees Fahrenheit). The lower the temperature at which the batteries are stored, the lower is the rate of self-discharge.

If you store rechargeable batteries for a longer period (longer than two months), the battery charge level should be approx. 30%. To prevent exhaustive discharge, check the charging level of the batteries at regular intervals.



If you do not use batteries for long periods, remove them from the notebook. Never store batteries in the unit.

Monitoring the battery charging level

With the battery charging indicator you can check the remaining battery capacity (see "Status indicators").

Windows includes a "battery charge meter" for monitoring the battery capacity. This can be activated under *Start - (Settings) - Control Panel - Power Options*. The battery charge meter is then displayed in the task bar as a battery symbol. When you place the mouse pointer on the battery symbol, the system displays the battery status.

Removing and installing the battery



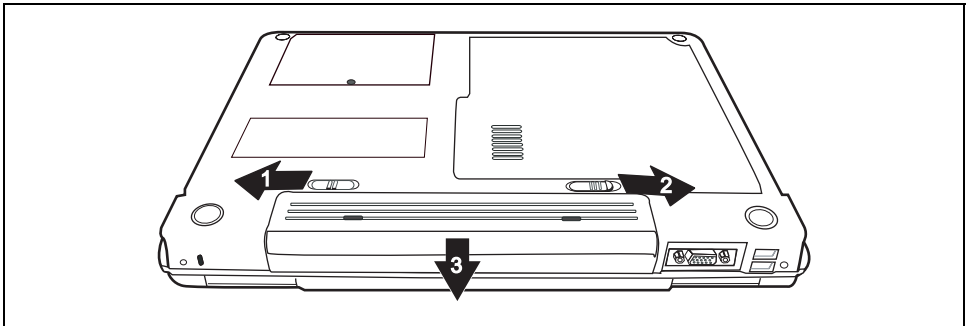
Only use batteries approved by Fujitsu Siemens Computers for your notebook.

Never use force when inserting or removing a battery.

Make sure that no foreign bodies get into the battery connections.

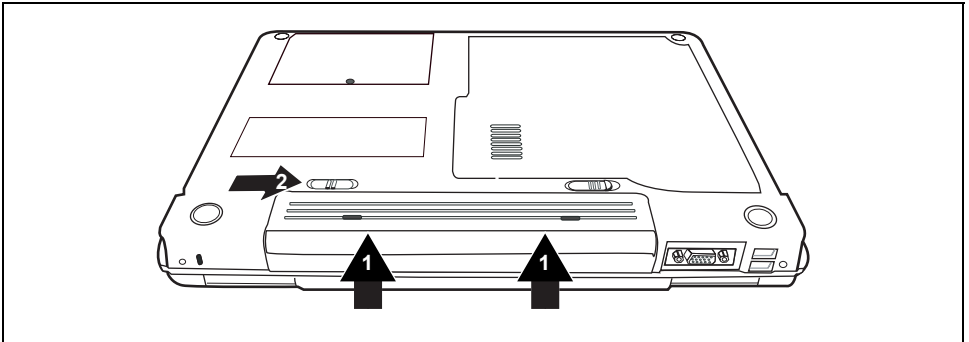
Removing battery

- ▶ Switch the notebook off and pull the power plug out of the mains socket.
- ▶ Close the LCD screen.
- ▶ Disconnect all cables connected to the notebook.
- ▶ Turn your notebook over and place it on a stable, sturdy, flat surface. If necessary, lay an anti-slip cloth on this surface to prevent the notebook from being scratched.



- ▶ Slide the locking device in the direction of the arrow (1) and hold it in place.
- ▶ Slide the hard disk carrier in the direction of the arrow (2) as far as it will go.
- ▶ Remove the battery from the battery compartment (3).

Inserting battery



- ▶ Slide the battery into the battery compartment in the direction of the arrow (1) until it engages noticeably.
- ▶ Push the battery lock in direction of the arrow (2).

CDRW / DVD combo drive



The CDRW / DVD combo drive is a Class 1 laser according to IEC 60825-1. It contains a light emitting diode (LED) which may produce a stronger laser beam than a Class 1 laser. It is dangerous to look directly at this beam. Therefore, do not remove any drive housing parts.

With the CDRW/DVD combination drive you can read all CD/DVD types specified below. You can also write CD-Rs and CD-RWs.

Please ask your local computer store for assistance if you are not sure which CD or DVD type suits best for your needs, e. g. backing up data, recording films, storing pictures etc..

Multi-format DVD burner with double layer support



The Multi-format DVD burner with double layer support is a Class 1 laser according to IEC 60825-1. It contains a light emitting diode (LED) which may produce a stronger laser beam than a Class 1 laser. It is dangerous to look directly at this beam. Therefore, do not remove any drive housing parts.

With the Multi-format DVD burner with double layer support you can read all optical data storage media named above. You can also write CD-Rs, CD-RWs, DVD+Rs, DVD+RWs, DVD-Rs, DVD-RWs and DVD+R DLs.

Please ask your local computer store for assistance if you are not sure which CD or DVD type suits best for your needs, e. g. backing up data, recording films, storing pictures etc..

CD-/DVD-Types

CD-ROM

Abbreviation for **Compact Disc - Read Only Memory**. A CD-ROM is an optical data storage device that can contain a maximum of 700 Mbytes. These data cannot be changed.

CD-R

Abbreviation for **Compact Disc Recordable**. A CD-R is an optical data storage device that can only be written with a maximum of 700 Mbytes of data. Then these data cannot be changed, but can be read as often as desired.

CD-RW

Abbreviation for **Compact Disc ReWriteable**. A CD-RW is an optical data storage device that can be written with a maximum of 700 Mbyte of data a virtually unlimited number of times. This means the data can be deleted and changed.

DVD (DVD-ROM and DVD video)

Abbreviation for **Digital Versatile Disc** or **Digital Video Disc**. A DVD is an optical data storage medium that can contain a maximum of 17 Gbytes of data. These data cannot be changed.

DVD+R/DVD-R

Abbreviation for **Digital Versatile Disc Recordable** or **Digital Video Disc Recordable**. A DVD+R or a DVD-R is an optical data storage device that can only be written once with a maximum of 4.7 Gbytes of data. Then these data cannot be changed, but can be read as often as desired.



DVD+R and DVD-R are different standards. DVD+Rs and DVD-Rs can only be written by drives which support the respective standard.

DVD+RW/DVD-RW

Abbreviation for **Digital Versatile Disc** or **Digital Video Disc + ReWriteable**. A DVD+RW or a DVD-RW is an optical data storage device that can be written with a maximum of 4.7 Gbytes of data virtually an unlimited number of times. This means the data can be deleted and changed.



DVD+RW and DVD-RW are different standards. DVD+RWs and DVD-RWs can only be written by drives which support the respective standard.

DVD+R DL (Double Layer)

Abbreviation for **Digital Versatile Disc Recordable Double Layer** or **Digital Video Disc Recordable Double Layer**. A DVD+R DL is an optical data storage device that can only be written with a maximum of 8.5 Gbytes of data. Then these data cannot be changed, but can be read as often as desired.

Handling CD/DVDs



Observe the following guidelines when handling CD/DVDs:

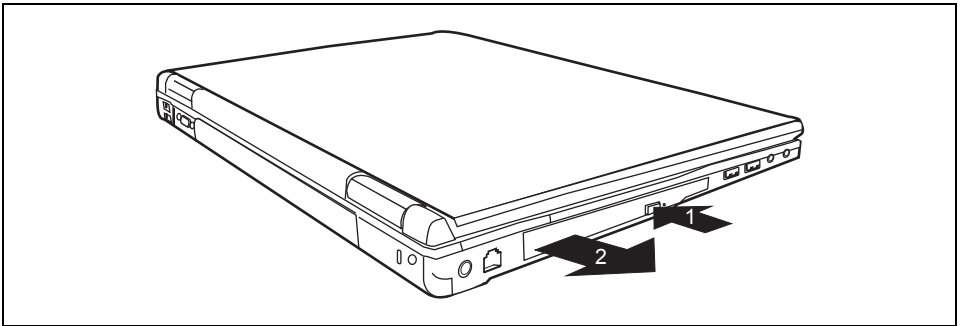
- Avoid touching the surface of a CD/DVD. Hold CDs/DVDs by their edges!
- Always store CDs/DVDs in their cases. This will protect CD/DVD from dust, scratches and other damage.
- Protect your CDs/DVDs from dust, mechanical vibration and direct sunlight!
- Avoid storing a CD/DVD in areas subject to high temperatures or humidity.



In order to make use of the full recording speed of your drive, please use disks marked "Multispeed" or "High Speed"

Inserting or removing a CD/DVD

The notebook must be switched on.



- ▶ Push the insert/eject button (1).

The drive tray (2) will open.

- ▶ Gently pull the drive tray completely out.
- ▶ Place the CD/DVD in the drive tray with the label facing upwards.

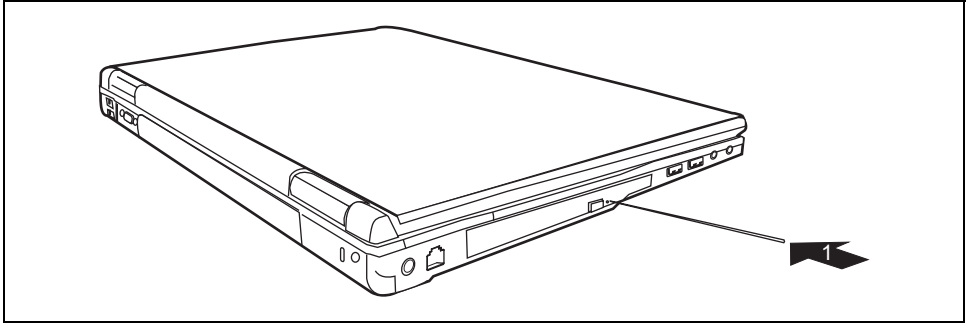
or

- ▶ Take out an inserted CD/DVD.
- ▶ Push in the drive tray until you feel it lock into place.

Manual removal (emergency removal)

In the event of a power failure or damage to the drive it may be necessary to manually remove the CD/DVD.

- ▶ Switch the notebook off.



- ▶ Press a metal pin or wire (e.g. paperclip) into the opening (1).

The drive tray is ejected. You can now pull the drive tray out of the drive and remove the CD/DVD.

Regional codes for DVD films and DVD players

DVD films and DVD players (e.g. the DVD drive of your notebook) are always provided with a regional code. The regional codes of DVD films and DVD players must match so that the DVD film can be played back.

There are six different regional codes:

- Regional code 1: USA and Canada
- Regional code 2: Egypt, Europe, Japan, South Africa and the Middle East
- Regional code 3: Southeast Asia (including Hong Kong, Indonesia, Philippines, South Korea, Taiwan)
- Regional code 4: Australia, New Zealand, South Eastern Pacific, Central and South America and the Caribbean
- Regional code 5: Africa (except South Africa), India and the former states of the USSR
- Regional code 6: China

The DVD drive of your notebook supports the function RPC-II (Phase II System of Regional Playback Control). This function permits the final user to change the regional code of the drive up to five times to play back corresponding DVD films. Then the last regional code selected is retained and cannot be changed again.



If a DVD film is to be watched in all regions, it has the regional code 0.

Before buying a DVD film you should check that the regional code of the DVD film matches the regional code set for the optical drive of your notebook.

Adjusting AutoPlay function of your CDRW/DVD combo drive

Windows XP uses AutoPlay technology. This allows you to tell Windows XP how to use different types of CD or DVD disks.

You can set the AutoPlay function of the CDRW/DVD combo drive according to your needs. For example, if you insert a music CD you can tell Windows XP to open Media Player and start to play it.

Proceed as follows:

- ▶ Click *Start* and then *My Computer*.

The *My Computer* window will appear.

- ▶ Select the CD / DVD icon you want to change and click it with the right-hand mouse or touchpad button.

A context menu appears.

- ▶ Click on *Properties*.
- ▶ Click on the *AutoPlay* tab.
- ▶ Adjust the AutoPlay function to meet your needs.



Please note that you must select the desired action and confirm it with *Apply* for each individual CD/DVD content type.

PC cards

A PC card slot (CardBus or PCMCIA) enables the notebook to operate a type II PC card.



Consult the documentation supplied by the PC card's manufacturer and follow the instructions provided.

Never use force when inserting or removing a PC card.

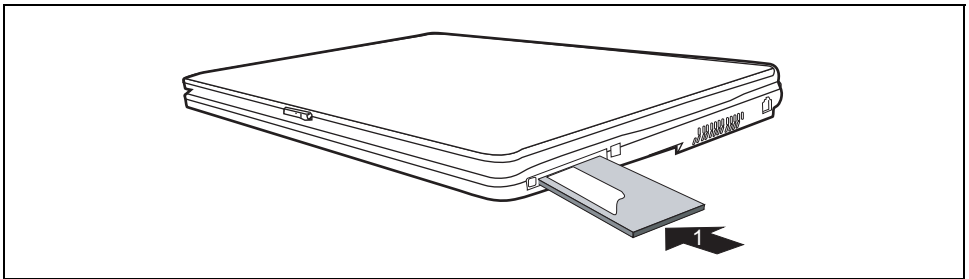
Make sure that foreign objects do not fall into the PC card slot.



You can push the PC card slot eject button into the notebook casing. Press the eject button until it snaps in. This prevents the PC card from being ejected accidentally.

Installing a PC card

- ▶ Insert the PC card, contacts first, into the slot guide. The labelled side of the PC card should be facing upward.




- ▶ Gently push the PC card into the slot until you feel it click into place.



Consult the documentation supplied with your PC card for information on how to install the necessary device drivers.

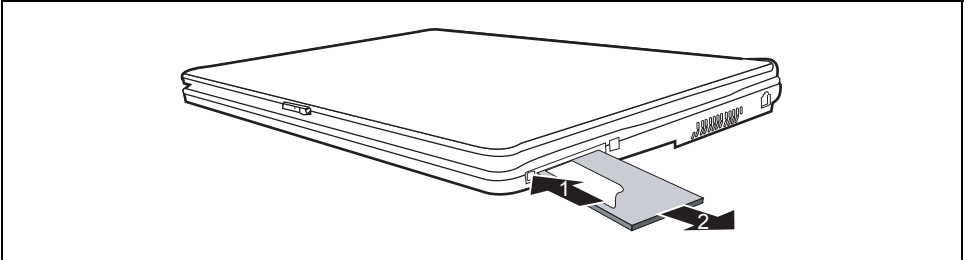
You should also read the help files supplied on CD, the information provided for the PC card driver or the information provided by the operating system (e.g. *Help and Support Center* under Windows XP).

Removing a PC card

With the  symbol in the task bar you can stop the PC card:

- ▶ Click on the symbol with the left mouse or touchpad key.
- ▶ Select the PC card you want to stop and remove.
- ▶ Press the Enter key.

Wait for the dialogue box which tells you that it is now safe to remove the PC card.



- ▶ Press the eject button (1). The PC card will project further out of the notebook's case. If the eject button is lowered, you must first cause the eject button to release from the notebook casing. To do this, press the eject button until it releases.
- ▶ Slide the PC card out (2) of the notebook.

Integrated 56k modem

The integrated 56k modem supports all data communication applications, such as:

- Modem operation: High-speed downloads at up to 56,000 bit/s (V.9x). Downward-compatible to V.34 modems.
- Fax mode: Transmitting and receiving at up to 14,400 bit/s
- Simple country adaptation with programme

The modem complies with the EU Directive 91/263/EEC (Telecommunications terminal equipment directive) and has been checked in agreement with the guideline TBR-21.

The modem can be operated in the following countries:

Multifrequency (MFC) dialling

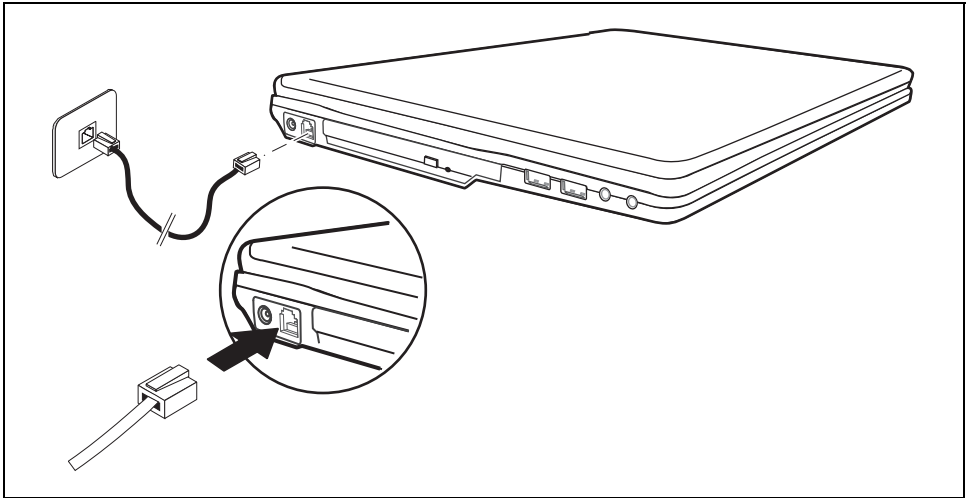
Belgium, Denmark, Germany, Finland, France, Greece, Great Britain, Holland, Ireland, Iceland, Italy, Luxembourg, Norway, Austria, Portugal, Sweden, Switzerland and Spain.

Pulse dialling:

Belgium, France, Holland and Italy.

Also in: Poland, Slovenia, South Africa and Hungary.

Connecting notebook modem to telephone wall socket



- ▶ Connect the modem cable to the optionally available country-specific telephone adapter.
- ▶ Connect the modem cable to the modem port of the notebook.
- ▶ Connect the modem cable to your telephone wall socket.

i Please note that the telephone line is busy and that you cannot use your telephone if the modem cable is plugged into the telephone wall socket. Pull the modem cable out of the telephone socket after you have finished your internet session or the fax mode and reconnect the telephone cable.

Wireless LAN

! The installation of a wireless LAN module not approved by Fujitsu Siemens Computers GmbH voids the permits (CE!, FCC) issued for this device.

A wireless LAN is integrated in your notebook.

Switching wireless LAN module on and off

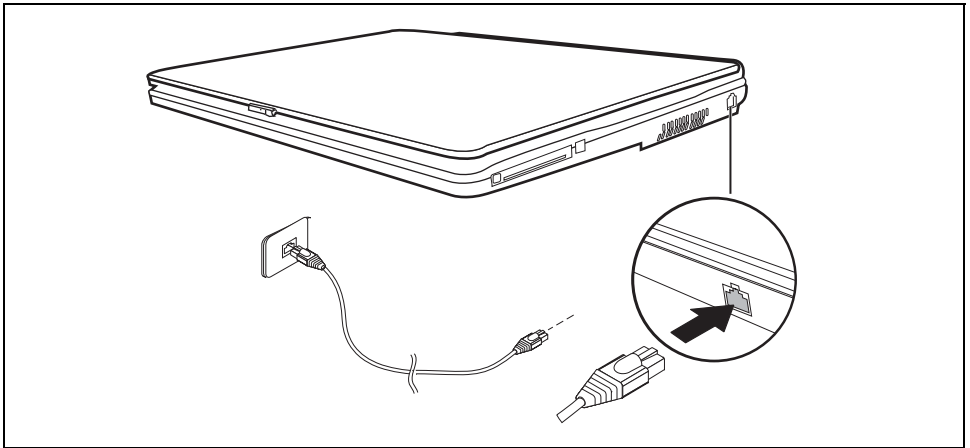
- ▶ Press the Easy Launch button (↵) to switch on or off the wireless LAN module.

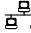
The indicator wireless LAN (↵) light, if the wireless LAN modulw is switched on.

i More detailed information on the use of Wireless LAN can be found in the "Wireless LAN" manual. This manual is provided as PDF file on the "User Documentation" or "Drivers & Utilities" CD/DVD.

Ethernet and LAN

The internal LAN module of your notebook supports Ethernet-LAN (10/100 Mbps). With the LAN module you can establish a connection to a local network (LAN = Local Area Network).



- ▶ Connect the LAN cable to the notebook's LAN connector .
- ▶ Connect the LAN cable to your network connector.



Your network administrator can help you to configure and use the LAN-connections.

Security functions

Your notebook enables you to protect your system and personal data in a number of ways against unauthorised access. By combining these options, you can achieve maximum protection for your system.

In this chapter you will learn which security functions your notebook is equipped with, which advantages these functions offer you and how to configure and use them.



Please consider that in the case of improper use, you yourself will also be unable to access your system and your data. Please note therefore the following hints:

- Back up your data on external data carriers at regular intervals.
- Some security functions need you to choose a password. Please be sure to note these passwords, as otherwise you will no longer be able to access your system. We recommend that you make a note of the passwords and keep them in a safe place.

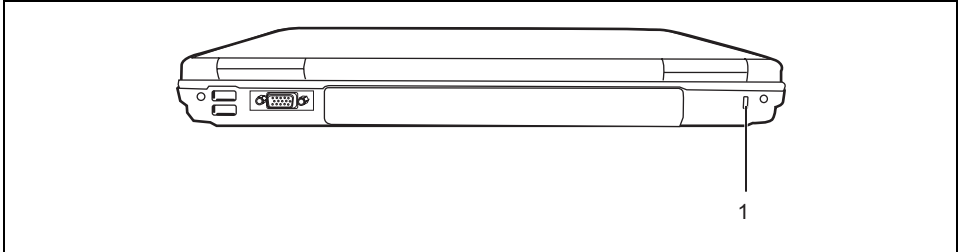
If you lose the passwords, please contact our Hotline/Help Desk. The telephone numbers are contained in the supplied help desk list. Passwords are not covered by your warranty and a charge will be made for assistance.

Brief overview of the security functions

Security function	Type of protection	Preparation
Kensington Lock	Mechanical	Mount and lock Kensington MicroSaver (accessory)
BIOS password protection	Password protection for <i>BIOS Setup Utility</i> and operating system with supervisor password. The passwords consist of a maximum of eight alphanumeric characters.	Specify at least one supervisor password in the <i>BIOS Setup Utility</i> and activate the password protection for the operating system as desired.

Using Kensington Lock

With the Kensington MicroSaver, a sturdy steel cable, you can help protect your notebook from theft. For this reason your notebook is equipped with a device for the Kensington MicroSaver. The Kensington MicroSaver is available as an accessory.



- ▶ Fit the Kensington MicroSaver on the device (1) on your notebook.

Configuring password protection in BIOS Setup Utility



Before using the various options of password protection for your data security in the *BIOS Setup Utility*, please note the following hints:

- Please be sure to note these passwords, as otherwise you will no longer be able to access your system.
- Passwords are not covered by your warranty and a charge will be made for assistance.
- Make regular backups to external storage devices such as external hard drives, CD or DVD disks.



Your password can be up to eight characters long and contain letters and numbers. It does not matter if you use upper or lowercase characters.

Protecting BIOS Setup Utility (supervisor password)



If you have opened these operating instructions on the screen, we recommend that you print out the following instructions. Because you cannot call the instructions onto the screen while you are setting up the password.

The supervisor password prevents unauthorised usage of *BIOS Setup Utility*. With the supervisor password you have access to all functions of the *BIOS Setup Utility*.



Please refer to section "Settings in BIOS Setup Utility" for a description of entering and operating the *BIOS Setup Utility*.

Setting a supervisor password

- ▶ Enter the *BIOS Setup Utility* and go to the *Security* menu.
- ▶ Select the *Set Supervisor Password* option and press the Enter key.

With *Enter New Password:/Enter Current Password:* you will then be asked to enter a password.

- ▶ Type a password and press the Enter key.

With *Confirm New Password* you are asked to confirm the password.

- ▶ Enter the password again and press the Enter key.

With *Notice: Changes have been saved* you receive a confirmation that the new password has been saved.

If you do not want to make any other settings, you can exit *BIOS Setup Utility*.

- ▶ Select the *Save Changes and Exit* option under *Exit*.
- ▶ Press the Enter key.

The notebook is rebooted and the new password is effective. If you now want to open the *BIOS Setup Utility*, you must enter your supervisor password.

Change supervisor password

In order to change the Supervisor password you need to be logged into the *BIOS Setup Utility* using the existing Supervisor password.

- ▶ Enter the *BIOS Setup Utility* again.
- ▶ Follow the steps for setting the supervisor password.

Canceling the supervisor password

To cancel the supervisor password (without setting a new password) run the following steps:

- ▶ Enter the *BIOS Setup Utility* and go to the *Security* menu.
- ▶ Select the *Set Supervisor Password* option and press the Enter key.

With *Enter Current Password* you will then be asked to enter a password.

- ▶ Press the Enter key twice.
- ▶ Select the *Save Changes and Exit* option under *Exit*.
- ▶ Press the Enter key.

The notebook is rebooted and the supervisor password is cancelled.

Password protection



With the supervisor password or the user password, you have assigned in the *BIOS Setup Utility* (see "Settings in BIOS Setup Utility"), you can also prevent booting of the operating system.

Virus protection for the hard disk

Activating hard disk protection

- ▶ Call the *BIOS Setup Utility*.
- ▶ Select the *Security* menu and press the Enter key.
- ▶ Mark the *Fixed Disk Boot Sector* field and select the *Write Protect* entry.

If you do not want to make any other settings, you can exit *BIOS Setup Utility*.

- ▶ Select the *Exit Saving Changes* option in the *Exit* menu.
- ▶ Select *OK* and press the Enter key.

The notebook boots and your hard disk is now protected against viruses.

Deactivating hard disk protection

- ▶ Call the *BIOS Setup Utility*.
- ▶ Select the *Security* menu and press the Enter key.
- ▶ Mark the *Fixed Disk Boot Sector* field and select the *Normal* entry.

If you do not want to make any other settings, you can exit *BIOS Setup Utility*.

- ▶ Select the *Exit Saving Changes* option in the *Exit* menu.
- ▶ Select *OK* and press the Enter key.

The notebook boots and your hard disk is no longer protected against viruses.

Connecting external devices



Before you connect or disconnect any devices from your notebook please read the safety notes in the "Important notes" chapter.

Always read the documentation supplied with the device you wish to connect.

Never connect, or disconnect cables during a thunderstorm.

Never pull on a cable when disconnecting it. Always hold the plug.

Follow the steps below in order, when connecting or disconnecting devices to your notebook:

Connecting devices to notebook

1. Turn off your notebook and all external devices.
2. Unplug your notebook and all devices from the mains sockets.
3. Connect the cables for your external devices following the supplied instructions.
4. Plug all power cables into the mains sockets.

Disconnecting devices from notebook

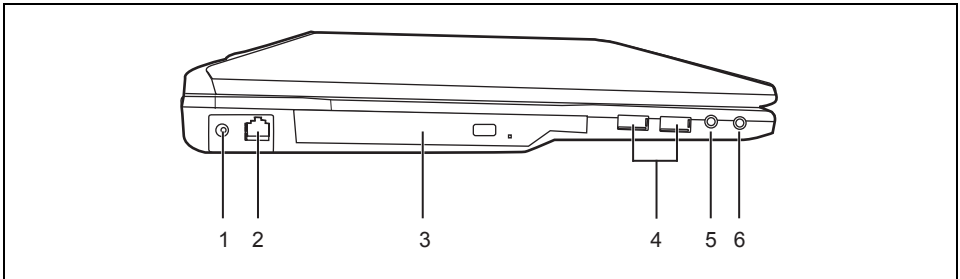
1. Turn off your notebook and all external devices.
2. Unplug your notebook and all devices from the mains sockets.
3. Disconnect the cables for your external devices following the supplied instructions.



Some of the external devices require special drivers (see the operating system and external device documentation).

Connections on notebook

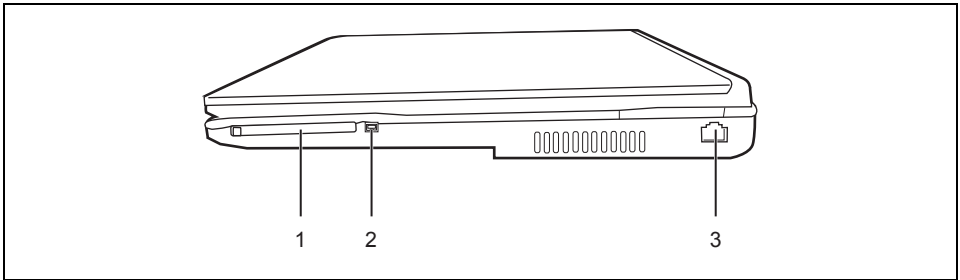
Left side panel



- 1 = DC jack (DC IN)
- 2 = Modem port
- 3 = Optical drive

- 4 = USB ports
- 5 = Headphones port
- 6 = Microphone port/Line In

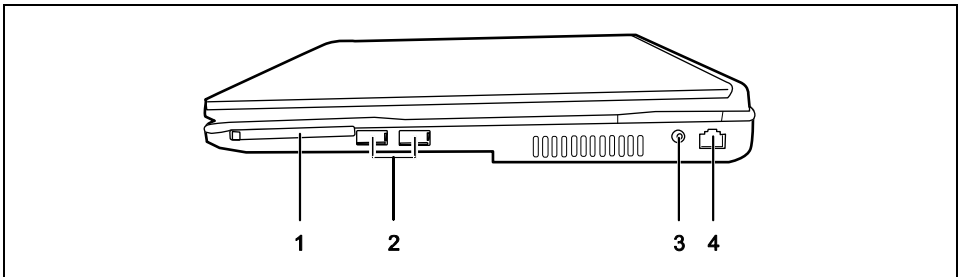
Right side of AMILO Pro V2030



- 1 = PC card slot
- 2 = FireWire port

- 3 = LAN port

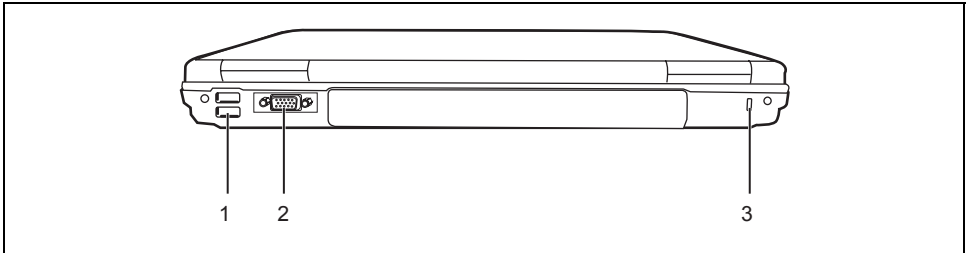
Right side of AMILO Pro V2035



- 1 = PC card slot
- 2 = USB ports

- 3 = DC jack (DC IN)
- 4 = LAN port

Back panel



1 = USB ports
2 = Monitor port

3 = Kensington Lock

Connecting an external monitor

An external monitor can be connected to the notebook.

- Using the **[Fn] + [F3]** key combination you can switch back and forth between the external monitor and the LCD screen.
- If your notebook is equipped with a TFT monitor, you can display the same picture on the external monitor and the LCD screen simultaneously.
- ▶ Switch off the notebook and the external monitor.
- ▶ Connect the data cable of the external monitor to the monitor port of the notebook.
- ▶ First switch on the monitor and then the notebook.

Setting the refresh rate for your external monitor

The refresh rate must be correctly set so that the image does not flicker.

- ▶ Select the monitor type in the menu *Start - (Settings) - Control Panel - Display - Settings - Advanced - Monitor*.
- ▶ Now select the *Adapter* tab.
- ▶ Adjust the refresh rate and click *Apply*.



If the refresh rate set is too high, the monitor may be damaged. Please see the documentation included with your monitor for the maximum possible refresh rate.

Connecting USB devices

On the USB ports you can connect external devices that also have a USB port (e.g. a printer, a scanner or a modem).



USB devices are hot-pluggable. This means you can connect and disconnect devices while your operating system is running.

USB 2.x has a data transfer rate of up to 480 Mbit/s.

Additional information can be found in the documentation for the USB devices.

- ▶ Connect the data cable to the external device.
- ▶ Connect the data cable to a USB port of the notebook.



Device drivers

Some USB devices will be automatically recognised and installed by your operating system. However, newer devices will need to be installed using the supplied CD / DVD. Always follow the instructions supplied with the device to complete the installation.

Connecting external audio devices

Headphones port

Via the headphone port you can connect either headphones or external loudspeakers to your notebook.

Microphone jack

Via the microphone port you can connect an external microphone to your notebook.

Adjusting the volume

- ▶ Set the desired volume with the key combination **Fn** + **F10** or **Fn** + **F11**.

or

- ▶ To adjust the volume use the Windows volume control from the *Start* menu - *All Programs* - *Accessories* - *Multimedia* - *Volume Control*.

Connecting FireWire devices*

External devices such as digital audio/video devices or other high-speed devices can be connected to the FireWire port. The FireWire port operates at a speed of 400 Mbit per second.



FireWire devices are hot-pluggable. Therefore, the cables of FireWire devices can be connected and disconnected with the system switched on.

Additional information is provided in the documentation of the FireWire devices.

- ▶ Connect this data cable of the external devices to the FireWire port of the notebook. Plug the power cable of the external device into the mains socket.

Removing and installing components during servicing



Only qualified technicians should repair your notebook. Unauthorised opening or incorrect repair may greatly endanger the user (electric shock, fire risk) and will invalidate your warranty.

You may remove and install the components described in this chapter yourself after consulting the Hotline/Help Desk.

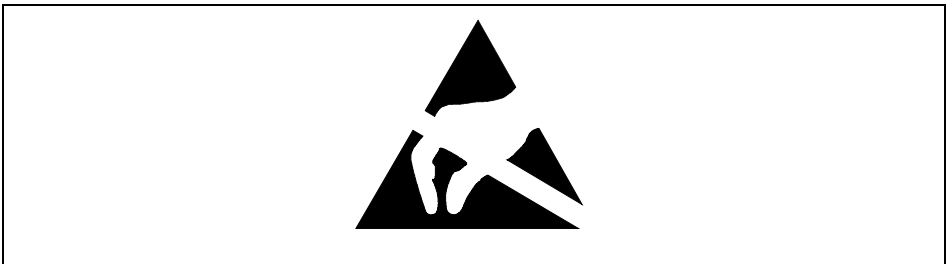


If you remove and install components without consulting the Hotline/Help Desk, then the warranty of your notebook will be voided.

Notes on installing and removing components

- Switch the notebook off and pull the power plug out of the mains socket.
- Remove the battery.
- Take care when you use the locking mechanisms on the battery and any other component.
- Never use sharp objects such as screwdrivers, scissors or knives as leverage to remove covers.

Boards with electrostatic sensitive devices (ESD) are identifiable by the label shown.



When you handle boards fitted with ESDs, you must, under all circumstances, observe the following points:

- You must statically discharge yourself before working with boards (e.g. by touching a grounded object).
- The equipment and tools you use must be free of static charges.
- Always hold boards with ESDs by their edges.
- Never touch pins or conductors on boards fitted with ESDs.

Removing and installing the battery



How to remove and reinstall a battery is described in chapter "Using your notebook", in the section "Removing and installing the battery".

Removing and installing memory modules

If you are asked by the Hotline/Help Desk to remove and install the memory modules yourself, proceed as follows:



Please take note of the safety information in the "Important notes" chapter.

The notebook must be switched off when installing/removing the memory modules, it must not be in Suspend mode.

Use only memory module which have been released for your notebook.

Do not use force when installing or removing a memory module.

Make sure that foreign objects do not fall into the memory module compartment.

The memory modules are located in a larger service compartment. You must open the entire service compartment when removing and installing a memory module. Once you have removed the cover, the various components are exposed. These components should be removed and replaced only by authorised specialists. Therefore, be sure to observe the following:

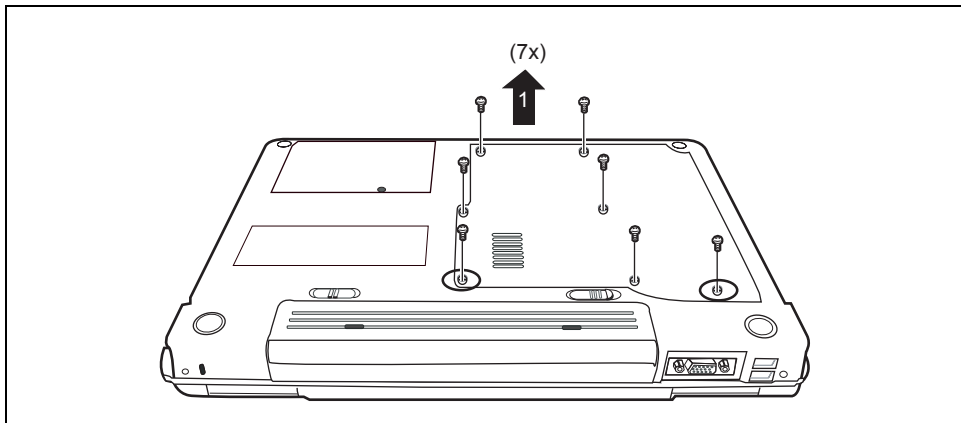


Individual components (e.g. the processor heat sink) can become very hot during operation. Therefore, we recommend that you wait one hour after switching off the notebook before removing or installing the memory modules. Otherwise, there is a danger of being burned!

As some components with ESDs are exposed, please observe the section "Notes on installing and removing components".

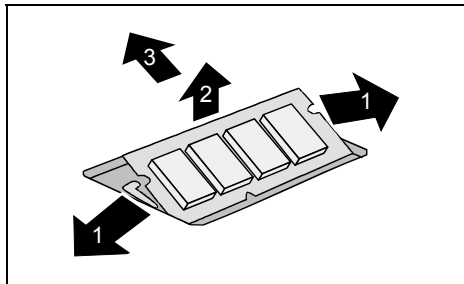
- ▶ Switch the notebook off.
- ▶ Close the LCD screen so that it locks into place.
- ▶ Unplug the mains adapter from the mains socket.
- ▶ Disconnect all cables connected to the notebook.
- ▶ Turn your notebook over and place it on a stable, sturdy, flat surface. If necessary, lay an anti-slip cloth on this surface to prevent the notebook from being scratched.
- ▶ Remove the battery (see "Using your notebook" – "Removing and installing the battery").

Removing cover



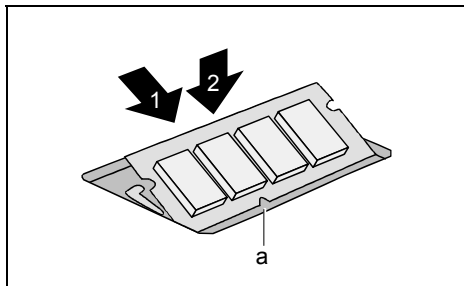
- ▶ Remove the screws (1).
- ▶ Pull the cover off the notebook.

Removing a memory module



- ▶ Carefully push the two mounting clips outwards (1).
- The memory module will flap upward (2).
- ▶ Pull the memory module out of its slot in the direction of the arrow (3).

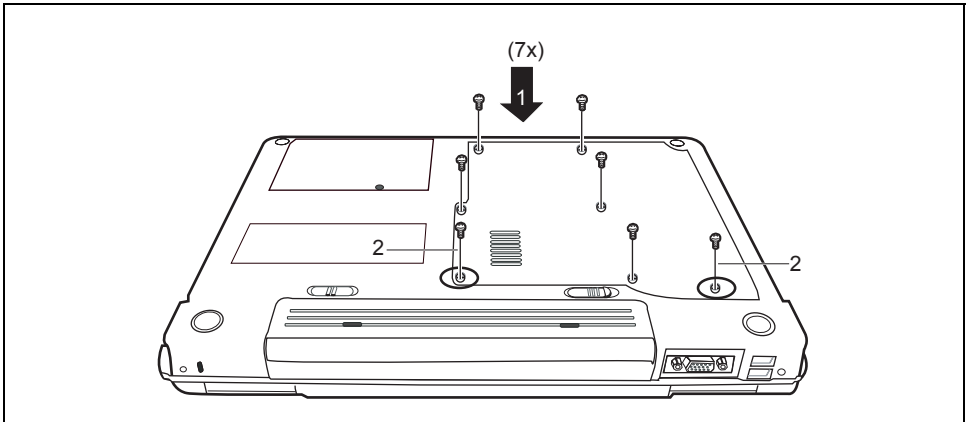
Installing a memory module



- ▶ Insert the memory module with the contacts and the recess (a) facing the slot (1).
- ▶ Carefully push the memory module downwards until it engages noticeably (2).

Mounting the cover

- ▶ Place the cover on its mounting location.



- ▶ Fasten the cover with the screws (1).





To avoid damaging the device, insert the longer screws only into the designated holes.

- ▶ Install the battery (see "Inserting battery").
- ▶ Turn the notebook over and place it on a flat surface.
- ▶ Reconnect the cables that you disconnected before.

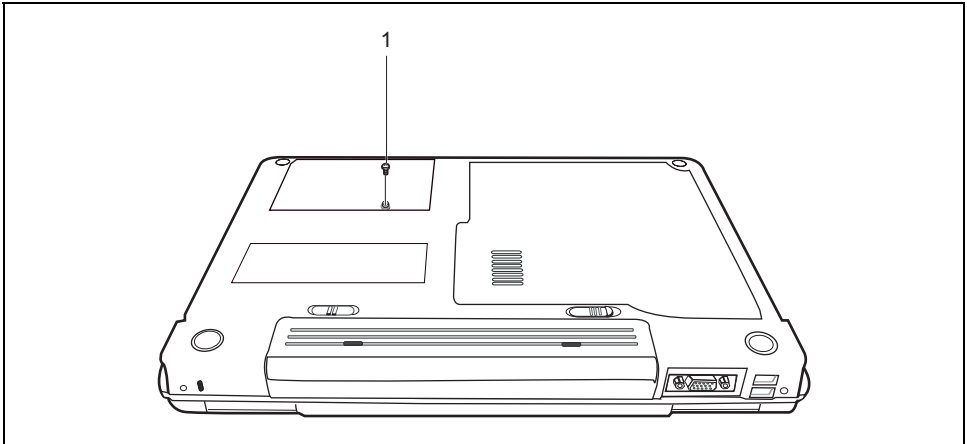
Hard disk

The hard disk is the most important storage medium of your notebook. You can work considerably faster and more efficiently if you copy applications and files from floppy or CDs/DVDs to your hard disk.

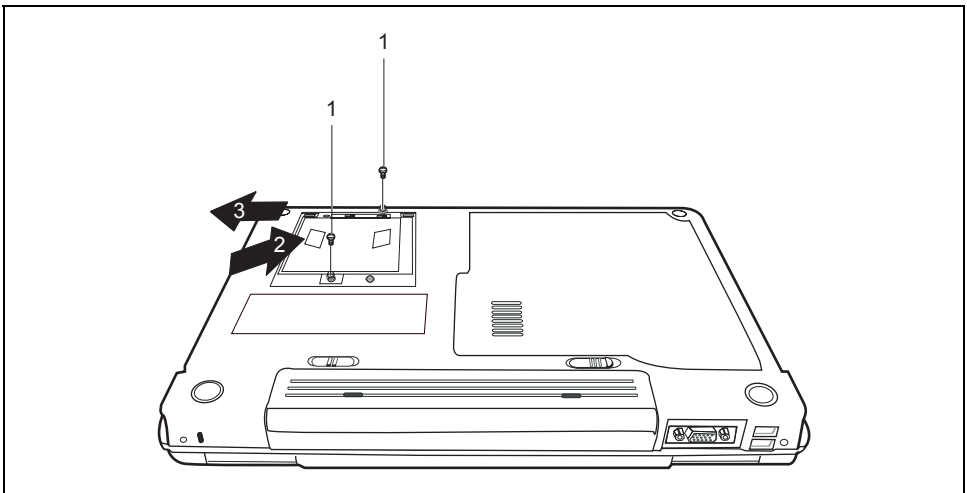
When the hard disk is accessed, the drive indicator lights up  / .

Removing the hard disk

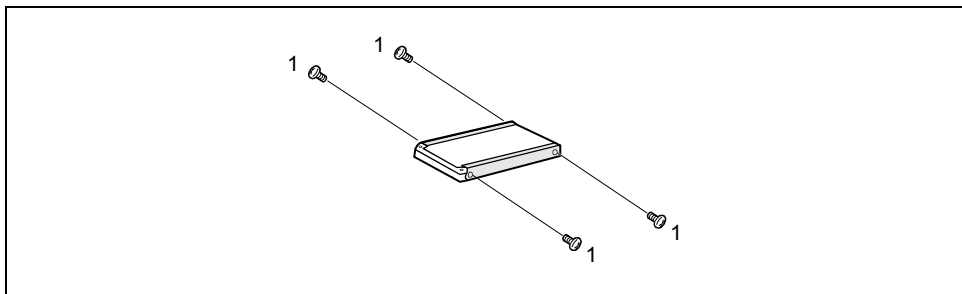
- ▶ Switch the notebook off and pull the power plug out of the mains socket.
- ▶ Close the LCD screen so that it locks into place.
- ▶ Disconnect all cables connected to the notebook.
- ▶ Turn your notebook over and place it on a stable, sturdy, flat surface. If necessary, lay an anti-slip cloth on this surface to prevent the notebook from being scratched.
- ▶ Remove the battery (see "Removing and installing the battery").



- ▶ Remove the screw (1).
- ▶ Pull the cover off the notebook.

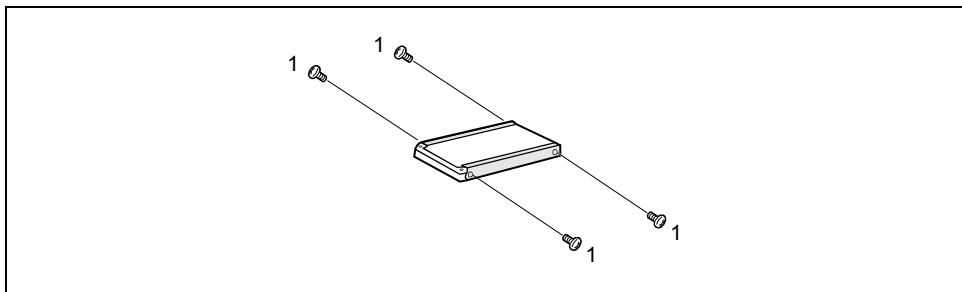


- ▶ Remove the screws (1)*.
- ▶ Grasp the hard disk by the pulling aids (2).
- ▶ Slide the hard disk in the hard disk compartment in the direction of the arrow (3).
- ▶ Remove the hard disk from the notebook.

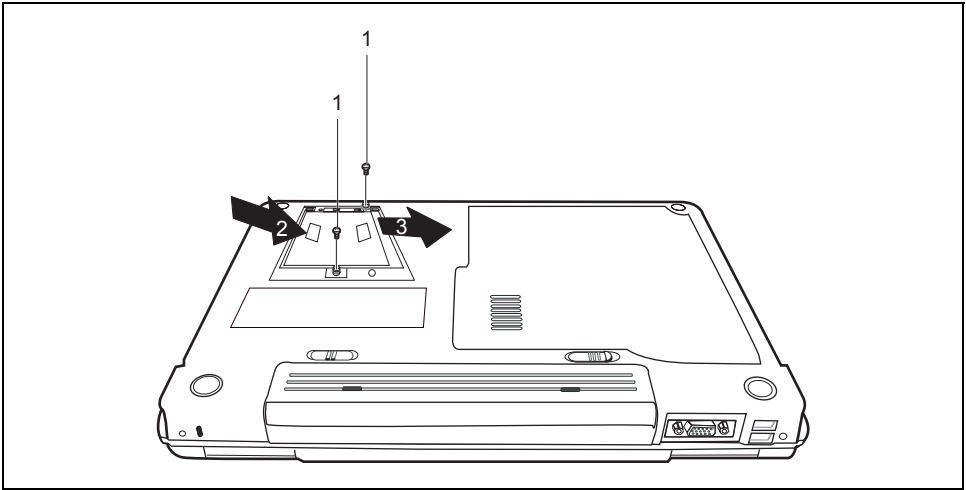


- ▶ Loosen the screws (1) of the hard disk carrier.
- ▶ Remove the hard disk from the hard disk carrier.

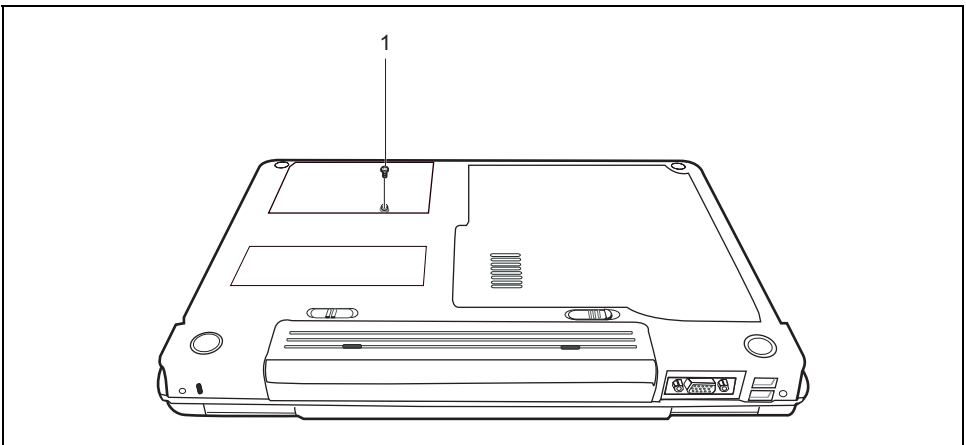
Installing the hard disk



- ▶ Insert the hard disk into the hard disk carrier.
- ▶ Fasten the hard disk carrier with the screws (1).



- ▶ Position the hard disk on the right side of the hard disk compartment and insert it in the hard disk compartment.
- ▶ Slide the hard disk by the pulling aids (2) in the direction of the arrow (3).
- ▶ Fasten the screws (1)*.



- ▶ Place the cover on its mounting location.
- ▶ Fasten the cover with the screw (1).
- ▶ Install the battery (see "Removing and installing the battery").
- ▶ Turn the notebook over and place it on a flat surface.
- ▶ Reconnect the cables that you disconnected before.

Using the power-management features

If you use the possible energy saving functions in battery mode, the notebook uses less energy. You will then be able to work longer when using the battery before having to recharge it.

You can set the power-management features for your notebook under *Start - (Settings) - Control Panel - Power Options*.



Never switch the notebook off with the Suspend/Resume button while the notebook is in one of the energy-saving modes.

When you are finished working with your notebook we advise you to come out of an energy saving mode and then turn off as normal.

Never turn off your notebook while it is in an energy saving mode.

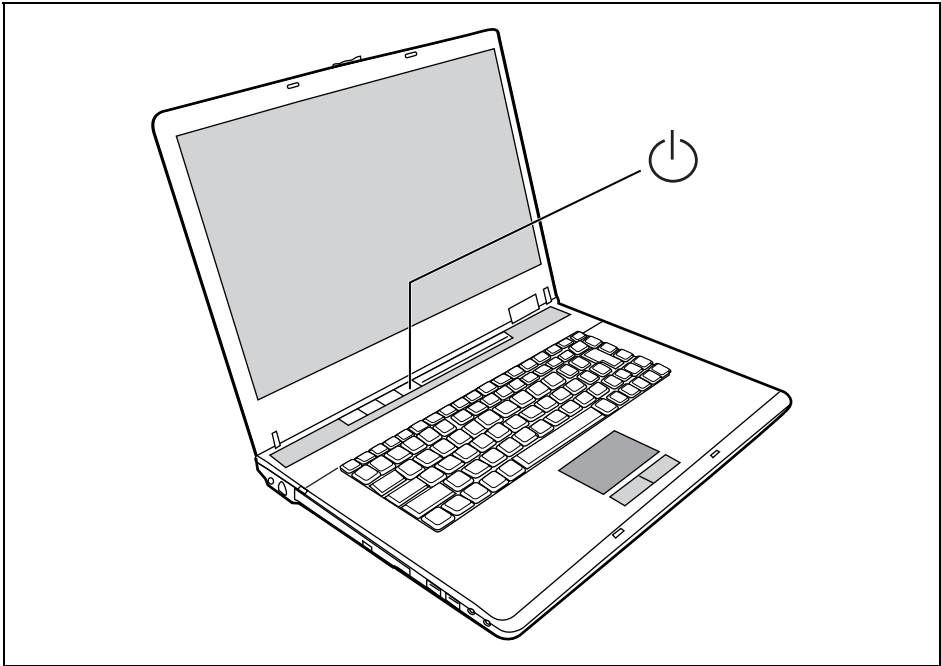
If the notebook is in an energy-saving mode mode:

- Do not connect any external devices.
- Do not disconnect any external devices.
- Do not attempt to switch the notebook on if the built-in battery is flat.
- No memory modules may be removed or installed.
- Do not add or remove a PC card.
- Do not replace or remove the battery.

The operating system uses ACPI (Advanced Configuration and Power Interface) for power management under Windows XP. The energy saving functions can be activated under *Start - (Settings) - Control Panel - Power Options*.

Under Windows, *Hibernate* is activated by default.

Standby mode



- ▶ Press the ON/OFF switch to switch the standby mode on and off.

i You can configure the ON/OFF switch under *Start - (Settings) - Control Panel - Power Options - Advanced*.

In the Standby/Suspend-to-DRAM mode the content of your main memory is saved by continuing to supply the main memory with power, while the processor, monitor, hard disk and other internal components are switched off. This mode is activated each time you press the ON/OFF switch. Saving is also triggered when you do not make an entry on your notebook for a certain time. When you resume work, your notebook returns to the place at which you discontinued working.

i If you use an integrated LAN/Modem, a PC-LAN card or a PC modem card, we do not recommend switching over to the Standby mode, as this may lead to an interruption in the network connection.

When you press the ON/OFF switch for more than 4 seconds, you switch off your notebook.

Settings in BIOS Setup Utility

In *BIOS Setup Utility* you can set the system functions and the hardware configuration of the notebook.

When it is delivered, the notebook is set to factory default settings. You can change these settings in *BIOS Setup Utility*. Any changes you make take effect as soon as you save and quit the *BIOS Setup Utility*.

The *BIOS Setup Utility* programme contains the following menus:

<i>Main:</i>	for system settings such as time and date
<i>Advanced:</i>	for system settings such as hard disks and monitor selection
<i>Security:</i>	for password settings and safety functions
<i>Boot:</i>	for configuring the boot sequence
<i>Exit:</i>	to exit the <i>BIOS Setup Utility</i>

Start BIOS Setup Utility

- ▶ Reboot the notebook (switch off/on or reboot operating system).

The following or a similar display appears on the screen during booting:

<F2> BIOS Setup <F12> Boot Menu

- ▶ When this message appears, press the function key **F2**.



If a password has been assigned:

- ▶ Enter the password and press the Enter key.

If you have forgotten the password, contact your system administrator or contact our Hotline/Help Desk.

Operating BIOS Setup Utility



Press the **F1** key to display help on the operation of *BIOS Setup Utility*.

The description of the individual settings is shown in the right-hand window of the *BIOS Setup Utility*.

With the **F9** key you can load the default settings of the *BIOS Setup Utility*.

- ▶ Use the cursor key **←** or **→** to select the menu you wish to access to make changes.

The menu is displayed on the screen.

- ▶ Select the option you want to change with the cursor keys **↑** or **↓**.
- ▶ Press the Enter key.
- ▶ Press the **ESC** key to exit the selected menu.
- ▶ For future reference, make a note of the changes you have made (for example, in this manual).

Exiting BIOS Setup Utility

To exit *BIOS Setup Utility*, select the *Exit* menu from the menu bar. You can then decide which settings you want to save. The *Exit* menu offers the following options.

- ▶ Mark the desired option with the cursor keys **↑** or **↓**.
- ▶ Press the Enter key to confirm your selection.

Exit Saving Changes - save settings and exit BIOS Setup Utility

- ▶ Select **OK** to save the current settings in the menus and exit the *BIOS Setup Utility*.

The device is rebooted and the new settings come into effect.

Exit Discarding Changes - Reject changes and exit BIOS Setup Utility

- ▶ Select **OK** to discard the changes.

The settings which were in force when *BIOS Setup Utility* was called remain effective. *BIOS Setup Utility* is terminated and the device is rebooted.

Load Setup Default - Apply default settings

- ▶ Select **OK** to apply the default settings for all menus of the *BIOS Setup Utility*.

The device restarts and the default settings become effective.

Discard Changes - Reset settings

- ▶ Select **OK** to load the settings for all menus that were valid when the *BIOS Setup Utility* was started.

Save Changes

- ▶ Select **OK** to save changes in between without exiting *BIOS Setup Utility*.

Troubleshooting and tips



Take note of the safety notes in the "Safety" manual, when you connect or disconnect cables.

If a fault occurs, try to correct it as described. If you fail to correct the problem, proceed as follows:

- ▶ Make a note of the steps and the circumstances that led to the fault. Also make a note of any error messages displayed.
- ▶ Switch the notebook off.
- ▶ Please contact the Hotline/Help Desk.

The telephone numbers are contained in the supplied help desk list. Please have the following information ready when you call:

- The model name and serial number of the notebook. The serial number is located on a sticker on the underside of the notebook.
- Notes of any messages that appear on the screen and information on acoustic signals.
- Any changes you have made to the hardware or software after receiving the notebook.
- Any changes you have made to the *BIOS Setup Utility* settings after receiving the notebook.
- Your system configuration and all peripheral devices connected to your system.
- Your sales contract.

Reinstalling Windows XP

You can reinstall the Windows XP operating system with the "Windows XP Recovery CD" and the "Drivers & Utilities" CD/DVD.

The instructions are provided on the case of the Recovery CD.



During the reinstall process your personal files and any installed programs will be deleted. We advise that you backup your files to an external hard drive, or CD / DVD disk before you start.

- ▶ Switch the notebook on.
- ▶ Press the **[F12]** key when the message `F2: Setup F12: Boot Menu` appears on the screen.
- ▶ Insert the "Windows XP Recovery CD" into the optical drive.
- ▶ Select the *CD-ROM* and press the Enter key.
- ▶ Follow the instructions on the screen.

After the installation you must install all the drivers again. Some installed hardware components will not be correctly supported until this has been done.

- ▶ Insert the "Drivers & Utilities" CD/DVD into the optical drive.

The CD/DVD starts automatically.

- ▶ Click on the *Desk Update* button.

- ▶ Select *Automatic driver installation (Express)* and click *Start installation*.
- ▶ Follow the instructions on the screen.
- ▶ Restart your notebook when the driver installation is completed.

The notebook's date or time is incorrect

- ▶ Double-click on the clock in the task bar and adjust the time.
- or
- ▶ Set the time and/or date in the *BIOS Setup-Utility* menu *Main*.



If the date and time are repeatedly incorrect when you switch on the notebook, the buffer battery that supplies the internal clock is dead.

Contact your sales outlet or our hotline/help desk.

The LCD screen of the notebook remains blank

The screen power-management feature may be active.

- ▶ Press any key to activate the display.

The notebook is in Standby or Suspend mode.

- ▶ Press the Suspend/Resume button to end the Standby or Suspend mode.

The display angle or brightness may not be properly adjusted.

- ▶ Change the display angle and set the brightness by pressing the key **Fn** together with the key **F8** (darker) or **F9** (brighter) until the picture appears correct.

The notebook is set so that the picture only appears on the external screen.

- ▶ Press the key combination **Fn** + **F3** to switch over the display to the LCD screen or to specify the simultaneous display on the LCD screen and the external screen.

The external monitor stays blank

Monitor is switched off

- ▶ Switch the external monitor on.

Power saving has been activated (screen is blank)

- ▶ Press any key to continue.

Brightness is set too dark

- ▶ Adjust the brightness of the monitor.

Screen output is set to the notebook's LCD screen

- ▶ Press the key combination **Fn** + **F3** (selecting internal/external display).

The external monitor's power cable or data cable is not connected properly

- ▶ Switch off the external monitor and the notebook.
- ▶ Check whether the power cable is plugged properly into the external monitor and into the power socket.
- ▶ Check whether the data cable is properly connected to the notebook and the external monitor (if it is plugged in with a connector).
- ▶ Switch on the external monitor and the notebook.

The external monitor is blank or the image is unstable (under Windows)

The wrong external monitor has been selected or the wrong screen resolution has been set for the application programme.

- ▶ End the application programme under Windows with **[Alt] + [F4]**. If the fault continues to occur after ending the programme, switch over to the notebook's internal LCD screen with **[Fn] + [F3]**. Change the following setting:
 - ▶ Select the correct monitor or set the correct screen resolution.
 - Setting the screen resolution: Select *Start - (Settings) - Control Panel - Display - Settings* and then the screen resolution you require in the *Resolution* field.
 - Selecting the monitor: Select the correct monitor under *Start - (Settings) - Control Panel - Display - Settings - Advanced Properties - Monitor - Modify*.

The notebook cannot be started**The battery is not installed correctly.**

- ▶ Switch the notebook off.
- ▶ Check whether the battery is installed correctly in its compartment.
- ▶ Switch the notebook on.

The battery is dead.

- ▶ Charge the battery.
- or
- ▶ Install a charged battery.
- or
- ▶ Connect the notebook via its mains adapter to the mains outlet.

The mains adapter is not connected correctly.

- ▶ Switch the notebook off.
- ▶ Check whether the mains adapter is connected correctly to the notebook.
- ▶ Check whether the power cable is plugged properly into the mains adapter and into the mains outlet.
- ▶ Switch the notebook on.

Operating system files may be damaged or missing.

- ▶ Boot the notebook via the optical drive using the "Windows XP Recovery CD".



If the operating system is reinstalled, all data created up to that point will be lost. Make regular back-up copies of your data.

The notebook stops working

The notebook is in Standby or Suspend mode.

- ▶ Reactivate the notebook by pressing a key (Standby mode) or by switching it back on (Suspend mode).

The application programme has caused the malfunction.

- ▶ Close the application programme or restart the notebook by switching it on/off or with a warm boot.

The battery is dead.

- ▶ Charge the battery.

or

- ▶ Install a charged battery.

or

- ▶ Connect the mains adapter to the notebook.

The mouse does not work

Mouse is not connected

- ▶ Switch the notebook off.
- ▶ Check whether the mouse cable is correctly connected to the notebook. If you use an adapter or extension lead with the mouse cable, check the connections.
- ▶ Switch the notebook on.

The printer does not print

- ▶ Make sure that the printer is switched on and is on-line (see the manuals supplied with the printer).
- ▶ Check that the cable connecting the notebook and the printer is connected properly.
- ▶ Check whether the correct printer driver is loaded (see printer documentation).

Acoustic warnings

A beep sounds every few seconds.

The battery is almost flat.

- ▶ Charge the battery.

Error messages on the screen

This section describes the error messages generated by the *BIOS Setup Utility*. Error messages displayed by the operating system or programmes are described in the relevant documentation.

CMOS Battery Bad

If the error message occurs repeatedly, the buffer battery in the notebook is flat.

Contact your sales outlet or our hotline/help desk.

System CMOS checksum bad - Default configuration used

The system configuration information is incorrect.

- ▶ Switch the notebook off.
- ▶ Switch the notebook on.
- ▶ Enter the *BIOS Setup Utility* by pressing **F2**.
- ▶ Select the entry *Load Setup Defaults*.
- ▶ Mark *OK*.
- ▶ Press the Enter key.

If the error message appears repeatedly, please contact the place of purchase or our hotline/help desk.

Extended memory failed at offset: xxxx Failing Bits: zzzz zzzz

When testing the extended memory an error has resulted at the address xxxx.

- ▶ Check whether the additional memory module has been inserted correctly.

If the error message appears repeatedly, please contact the place of purchase or our hotline/help desk.

Keyboard controller error

- ▶ Switch the notebook off with the ON/OFF switch.
- ▶ Wait 3 - 5 seconds and switch on the notebook again.

If the error message appears repeatedly, please contact the place of purchase or our hotline/help desk.

Keyboard error

If you use an external keyboard:

- ▶ Check the connection and reboot the notebook.

If the error message appears repeatedly, please contact the place of purchase or our hotline/help desk.

nn Stuck key

- ▶ Make sure that no key is pressed.

If the error message appears repeatedly, please contact the place of purchase or our hotline/help desk.

Press <F1> to resume, <F2> to SETUP.

This error message appears if an error occurs during the self-test before starting the operating system.

- ▶ Press the **F1** function key to start the operating system.
- ▶ Enter the *BIOS Setup Utility* by pressing **F2**.

Real Time clock error

- ▶ Please contact your sales outlet or our Hotline/Help Desk.

nnnnK Shadow RAM failed at offset: xxxx Failing Bits: zzzz

- ▶ Please contact your sales outlet or our Hotline/Help Desk.

System battery is dead - Replace and run SETUP

- ▶ Please contact your sales outlet or our Hotline/Help Desk.

System cache error - Cache disabled

- ▶ Please contact your sales outlet or our Hotline/Help Desk.

nnnnK System RAM failed at offset: xxxx Failing Bits: zzzz

If the error message appears repeatedly, please contact the place of purchase or our hotline/help desk.

System timer error

- ▶ Please contact your sales outlet or our Hotline/Help Desk.

Technical data

Notebook

Processor:	Intel Celeron-M, 360, 370, 380, 390
Main memory:	Maximum 2 Gbyte DDR2 533/400 SO-DIMM 2 slots for 256, 512 Mbyte modules or 1 Gbyte modules
Possible modules:	<ul style="list-style-type: none">• Combo drive (CD-R/CD-RW/DVD)• Multi-format DVD burner with double layer support

Electrical data

Regulations complied with:	CE, CE!, Energy Star
Protection class:	II
Maximum power draw: (notebook on with battery charging)	65 W

LCD monitor AMILO Pro V2030

Display diagonal:	15-inch XGA TFT
Max. resolution:	1024 x 768 / 16 mio. colours

LCD monitor AMILO Pro V2035

Display diagonal:	15.4 inch WXGA, TFT
Max. resolution:	1280 x 800 / 16 mio. colours

Screen controller

Chip:	VN 800 / Uni Chrome Pro 3D/2D
Video memory (VRAM):	shared memory

Audio

Soundchip	ALC 655, AC97
-----------	---------------

Input devices

Keyboard:	87 keys
Touchpad/TouchStick:	2 keys

Slots

PC Card slot (CardBus/PCMCIA):	PCMCIA 1 x Typ II
PC card controller:	
– AMILO Pro V2030	TI 4510R
– AMILO Pro V2035	ENE1410

Ports

• Monitor port:	15-pin female connector
• Modem port:	connector, RJ11
• LAN connector:	connector, RJ45
• Microphone jack:	3.5 mm mono mini-jack
• Headphone port:	3.5 mm stereo mini jack
• FireWire port*:	S400, 4-pin
• USB port:	Up to four times USB 2.0

Environmental conditions

Environment class (3K2)	DIN IEC 721
Mechanical class 7M2	DIN IEC 721

Temperature:

• Operation	5 °C 35 °C
• Transport	-15 °C 60 °C

Dimensions

Width/depth/height:	332 mm/276 mm/24 mm ... 39 mm
Weight (depending on configuration):	approx. 2.6 kg

Battery

6-cell rechargeable battery

Charge time:	approx. 3 hours (when switched off)
Operating time:	up to 2 hours (depending on application and power management settings)

3-cell rechargeable battery

Charge time:	approx. 2 hours (when switched off)
Operating time:	up to 1 hour (depending on application and power management settings)

Mains adapter 65 W

Main

• Rated voltage:	100 V to 240 V (automatic)
• Frequency:	47 Hz to 63 Hz (automatic)

Sub

• Rated voltage:	19 V
• Max. rated current:	3.42 A

Manufacturer's notes

Disposal and recycling

Further information can be found on the "Drivers & Utilities" CD/DVD provided with your computer.

Declarations of Conformity

You will find the Declaration of Conformity for the AMILO Pro on the Internet at: www.fujitsu-siemens.com.

Hereby, Fujitsu Siemens Computers, declares that the AMILO Pro is in compliance with the essential requirements and other relevant provisions of Directive 1999/5/EC.

CE marking



CE marking for devices with radio component

This equipment complies with the requirements of Directive 1999/5/EC of the European Parliament and Commission from 9 March, 1999 governing Radio and Telecommunications Equipment and mutual recognition of conformity.

This equipment can be used in the following countries:

Belgium	Denmark	Germany	Estonia
Finland	France	Greece	UK
Ireland	Iceland	Italy	Latvia
Liechtenstein	Lithuania	Luxemburg	Malta
Netherlands	Norway	Austria	Poland
Portugal	Sweden	Switzerland	Slovakia
Slovenia	Spain	Czech Republic	Hungary
Cyprus			

Contact the corresponding government office of the respective country for current information on possible operating restrictions. If your country is not included in the list, then please contact the corresponding supervisory authority as to whether the use of this product is permitted in your country.

Index

56k modem 37

A

Acoustic warnings 65
Alt Gr key 23
Alt+Tab 24
Anti-theft protection 42
Audio devices, connecting 48
AutoPlay function 35

B

Backtab 24
Battery
 charge level 57
 charge meter 30
 charging 29
 charging indicator 21
 empty 64
 important notes 30
 installing 31
 lifetime 29
 maintenance 29
 monitoring the charging level 30
 removing 30
 self-discharge 29
 storing 29
 technical data 68
Beep, error message 65
BIOS Setup Utility
 cancel supervisor password 43
 change supervisor password 43
 exiting 60
 operating 59
 protect with password 42
 set supervisor password 43
 settings 59
 starting 59
Blank 33
Board 49
Buffer battery, load 62

C

Caps Lock indicator 21
CardBus, see PC card
CD blank 33

CD/DVD

 AutoPlay function 35
 emergency removal 34
 inserting 33
 opening the CD tray by hand 34
 removing 33
 working with 33
CD-R 32
CD-ROM 32
CD-RW 32
CDRW / DVD combo drive 31
CE marking 69
Changing font size 28
Charging capacity, battery 29
Cleaning 5
Combo drive 31
 AutoPlay function 35
 removing by hand 34
Configuration, BIOS Setup Utility 59
Content type, CD/DVD 35
Contents of delivery 11
Country and keyboard settings 25
Ctrl+Alt+Del 24
Cursor key 23

D

Damage during transport 11
Data
 electrical 67
 technical 67
Date, not correct 62
Date/Time incorrect 62
DC IN
 (power cable) 46
 jack 8, 46
Devices
 connecting 45
 disconnecting 45
Display output, switch between 24
Disposal 69
DL support, Multi-format DVD burner 31
DVD 32
 blank 33
 video 32
DVD+R 32
DVD+R DL 32
DVD+RW 32

- DVD+RW drive
 - AutoPlay function 35
 - manual removal 34
- DVD-R 32
- DVD-ROM 32
- DVD-RW 32

- E**
- Easy Launch keys 7
- Eject button 37
- E-mail, Easy Launch key 25
- Emergency removal, CD/DVD 34
- Energy saving 4
- Energy saving functions 4, 57
- Enter key 22
- Error message
 - acoustic 65
 - on screen 65
- ESD 49
- Ethernet LAN 39
- External loudspeaker, connecting 48

- F**
- FireWire
 - devices, connecting* 48
 - port* 9, 46, 48
- Fn+F10 24
- Fn+F3 24
- Fn+F6 24
- Fn+F8 24
- Fn+F9 24

- H**
- Hard disk 52
 - installing 54
 - removing 52
- Hardware, configuring 59
- Headphones
 - connecting 48
 - port 8, 46

- I**
- Important notes 3
- Indicator
 - Drives 21
 - hard disk drive indicator 21
 - Num Lock 21, 23
 - wireless LAN 21
- Internet, Easy Launch key 25

- K**
- Kensington Lock 8, 47
 - applying 42
- Kensington MicroSaver 42
- Key
 - Backspace 22
 - Caps Lock 22
 - combination 24
 - cursor control keys 23
 - Enter 22
 - Fn key 23
 - Fn+F11 24
 - Return 22
 - Shift 23
 - Shift+Tab 24
 - Tab key 22
- Keyboard 7, 22
 - cleaning 5

- L**
- LAN
 - module 39
 - port 9, 46
- LCD monitor, error message 65
- LCD screen 7
 - brightness, adjusting 28
 - cleaning 5
 - is blank 62
 - notes 27
 - remains blank 62
 - setting the Desktop Area 28
 - setting the font size 28
 - settings 28
 - synchronising the display 28
- Left-hand side
 - ports 46
 - view 8
- Lifetime, battery 29
- Location, selecting the 12
- Loudspeaker 7
 - switching on and off 24

- M**
- Main memory 50
- Mains adapter
 - connecting 13
 - setting up 12
 - technical data 68
- Manual removal, CD/DVD 34
- Manufacturer, notes 69
- Memory configuration 50

- Memory expansion
 - installing 51
 - removing 51
 - Memory module
 - installing 51
 - removing 51
 - Memory modules 50
 - Menu key 23
 - Microphone
 - connecting 48
 - jack 8, 46
 - Mobile operation 4
 - Modem 37
 - connecting 38
 - port 8, 46
 - Monitor
 - connecting 47
 - external, synchronise display 28
 - port 8, 47
 - remains blank 62
 - Monitor screen
 - drifting display 63
 - no screen display 63
 - Mouse, does not work 64
 - Multi-format DVD burner, double layer support 31
- N**
- Notational conventions 2
 - Notebook
 - cleaning 5
 - not starting 63
 - operating 17
 - placing in service 11
 - setting up 12
 - stops working 64
 - switching off 19
 - switching on 17
 - transporting 5
 - Notes 3
 - battery 30
 - boards 49
 - cleaning 5
 - energy saving 4
 - LCD screen 27
 - manufacturer 69
 - safety 3
- O**
- ON/OFF switch 7
 - Open notebook, view 7
 - Operating system, protecting with password 44
 - Operation, preparing for 13
 - Optical drive 8, 46
- P**
- Packing material 11
 - Password
 - cancelling 43
 - changing 43
 - enter 43
 - protection 42
 - Pause key 23
 - PC card 36
 - installing 36
 - lowering eject button 36
 - removing 37
 - slot 9, 46
 - PCMCIA, see PC card
 - Pointer, changing the speed 28
 - Pointer, no mouse pointer 64
 - Ports 7, 46
 - Power-on indicator 21
 - Preparing for use 11
 - Printer
 - connecting (USB) 48
 - does not print 64
- R**
- Rear, ports 47
 - Rear, view 8
 - Recycling 69
 - Right-hand side
 - ports 46
 - view 9
- S**
- Safety 3
 - Screen brightness
 - decreasing 24
 - increasing 24
 - Screen message 65
 - Security functions 41
 - survey 41
 - Self-discharge, battery 29
 - Setting resolution 28
 - Setup, see BIOS Setup Utility
 - Shift key 22, 23
 - Signs and symbols 2
 - Standby mode 58
 - Standby mode, terminating 64
 - Start key 23
 - Status indicators 7, 20
 - Summer time 62

- Survey, security functions 41
- Suspend mode, terminating 64
- Suspend/Resume button 58
- Switch between open applications 24
- Synchronisation, screen display 28
- System configuration 59
- System memory 50
- System settings, BIOS Setup Utility 59

T

- Task Manager 24
- Technical data 67
 - battery 68
 - mains adapter 68
- Time
 - daylight savings 62
 - not correct 62
- Tips 61

- Touchpad 7, 26
 - buttons 7, 26
 - cleaning 5
 - dragging items 27
 - executing commands 27
 - moving the pointer 26
 - selecting items 26

- Transport 4, 5
- Travel preparations 4
- Troubleshooting 61

U

- USB
 - connecting devices 48
 - port 8, 46, 47

V

- VGA port, see monitor port
- Video devices, connecting 48
- Virtual numeric keypad 23
- Volume
 - adjustment 48
 - decreasing 24
 - increasing 24

W

- Windows security 24
- Wireless LAN 38
 - Easy Launch key 25
 - switching off module 38
 - switching on module 38